

Ecostat

Shower thermostat Comfort for exposed installation

Finish: **Matt White** Article Number: **13116700**



Description

product features

- 1 function
- EcoStop button limits the water consumption to 10 l/min
- thermostat cartridge, ceramic valve 180°
- maximum flow rate at 3 bar: 17 l/min
- min. operating pressure: 1 bar
- max. operating pressure: 10 bar
- safety stop at 40 °C
- temperature limitation adjustable
- non-return valve
- with silencer
- material handles: metal
- centre distance: 150 ± 12 mm
- connection dimension: DN15
- connection type: s-shaped connections, G 1/2
- dirt filter included
- WRAS 1904006

Article Details

Price excl. VAT

379,20 £

Technology



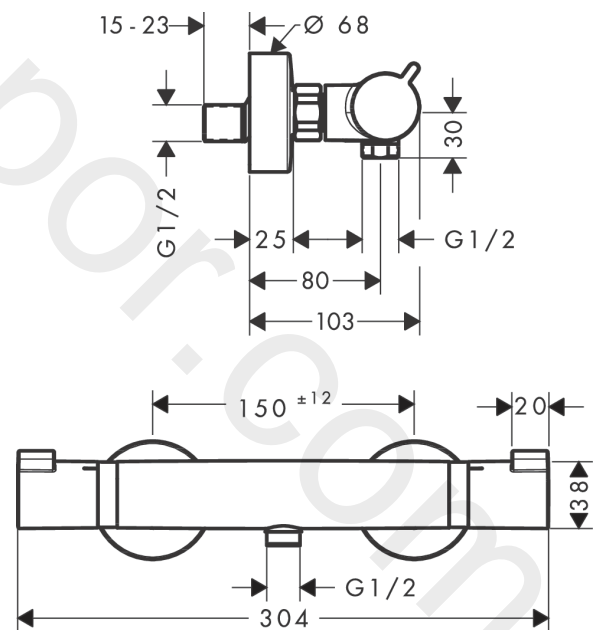
Design awards



Product image



Scale drawing



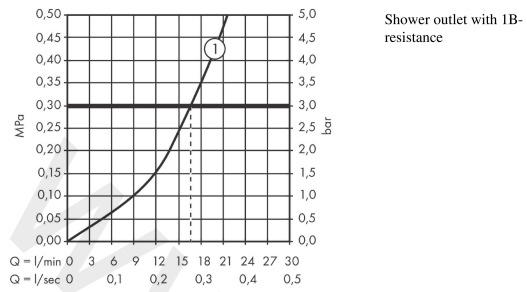
Ecostat

Shower thermostat Comfort for exposed installation

Finish: **Matt White** Article Number: **13116700**



Flowchart



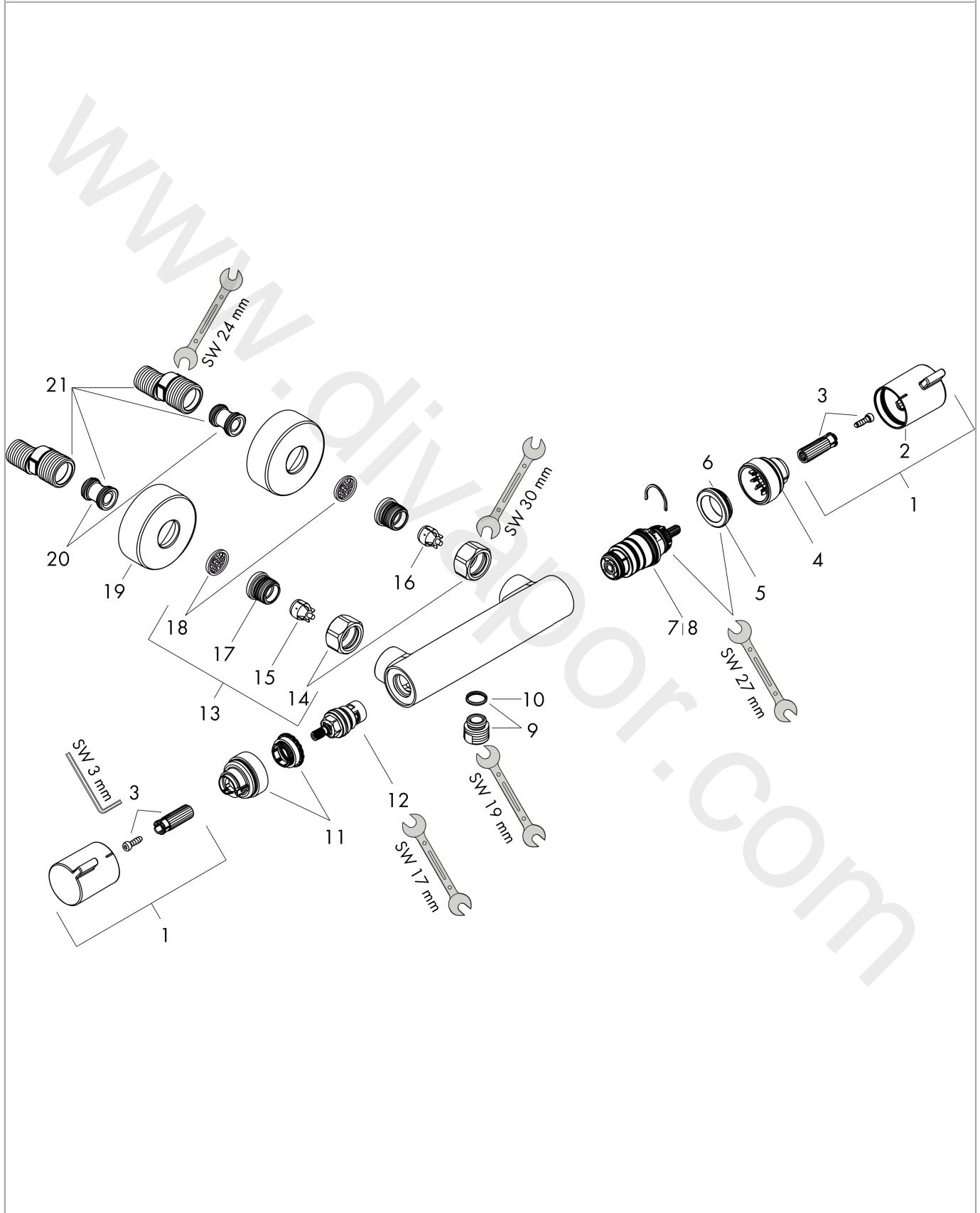
www.divapor.com

Ecostat
Shower thermostat Comfort for exposed installation
 Finish: **Matt White** Article Number: **13116700**



Exploded Drawing

Year of production: >07/19



Ecostat

Shower thermostat Comfort for exposed installation

Finish: **Matt White** Article Number: **13116700**



Spare part list

Year of production: >07/19

Pos.	Description	Article Number	Price	PU
1	handle	95836700	£ 51,00	1
2	pushbutton	92848700	£ 9,00	1
3	handle fixing set	95843000	£ 9,00	1
4	safety set	95839000	£ 20,50	1
5	nut	98913000	£ 20,50	1
6	O-ring 26x1,5	98390000	£ 3,30	1
7	thermostat cartridge	98282000	£ 110,00	1
8	cartridge for exchanged connections	92373000	£ 275,00	1
9	connecting thread	95392700	£ 33,00	1
10	O-ring 14x2	98129000	£ 3,30	1
11	safety set	95841000	£ 20,50	1
12	shut off unit	94149000	£ 35,00	1
13	set of unions	94285700	£ 118,00	1
14	set of nuts	96157700	£ 51,00	1
15	non return valve (pressure-resistant up to 2 MPa)	93136000	£ 35,00	1
16	non return valve	96737000	£ 35,00	1
17	O-ring 17x1,5	98137000	£ 3,30	1
18	filter packing	96922000	£ 9,00	1
19	escutcheon Ø 68 mm	96467700	£ 33,00	1
20	set of S-unions (±12 mm)	94140000	£ 51,00	1
21	noise reduction	96429000	£ 6,10	1
a	brake disc	92469000	£ 9,00	1