

**Ecostat Select**  
**Shower thermostat for exposed installation renovation**  
 Finish: **White/Chrome** Article Number: **13111400**



### Description

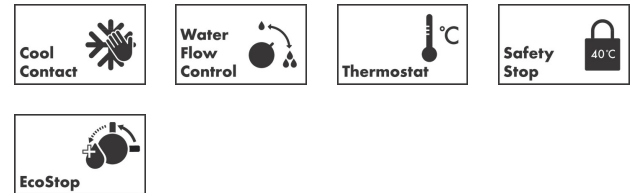
**product features**

- 1 function
- volume control for 1 function
- CoolContact thermostat: Prevents the housing from heating up, making showering even safer
- EcoStop button limits the water consumption to 10 l/min
- thermostat cartridge, ceramic valve 180°
- maximum flow rate at 3 bar: 12 l/min
- min. operating pressure: 1 bar
- max. operating pressure: 10 bar
- for installation on existing G 1/2 connections
- safety stop at 40 °C
- temperature limitation adjustable
- with isolated water conduction
- non-return valve
- with silencer
- shelf made of safety glass
- surface shelf: white glass
- material handles: metal
- centre distance: 150 ± 12 mm
- connection dimension: DN15
- connection type: s-shaped connections, G 1/2
- dirt filter included

### Article Details

Price excl. VAT 437,50 £

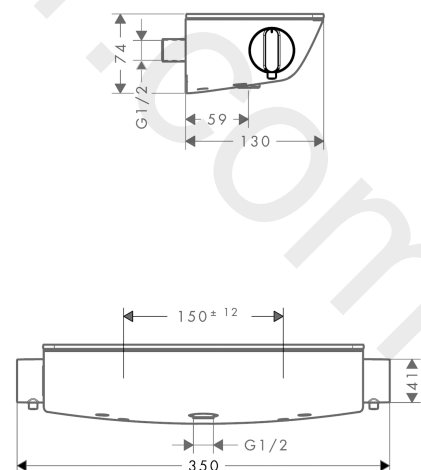
### Technology



### Product image



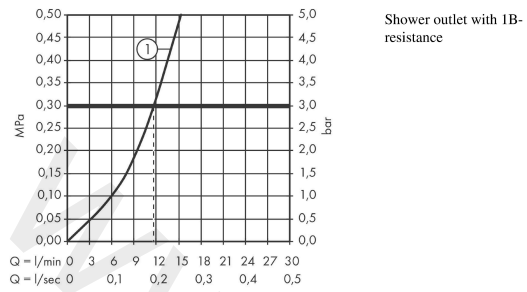
### Scale drawing



**Ecostat Select**  
**Shower thermostat for exposed installation renovation**  
 Finish: **White/Chrome** Article Number: **13111400**



**Flowchart**



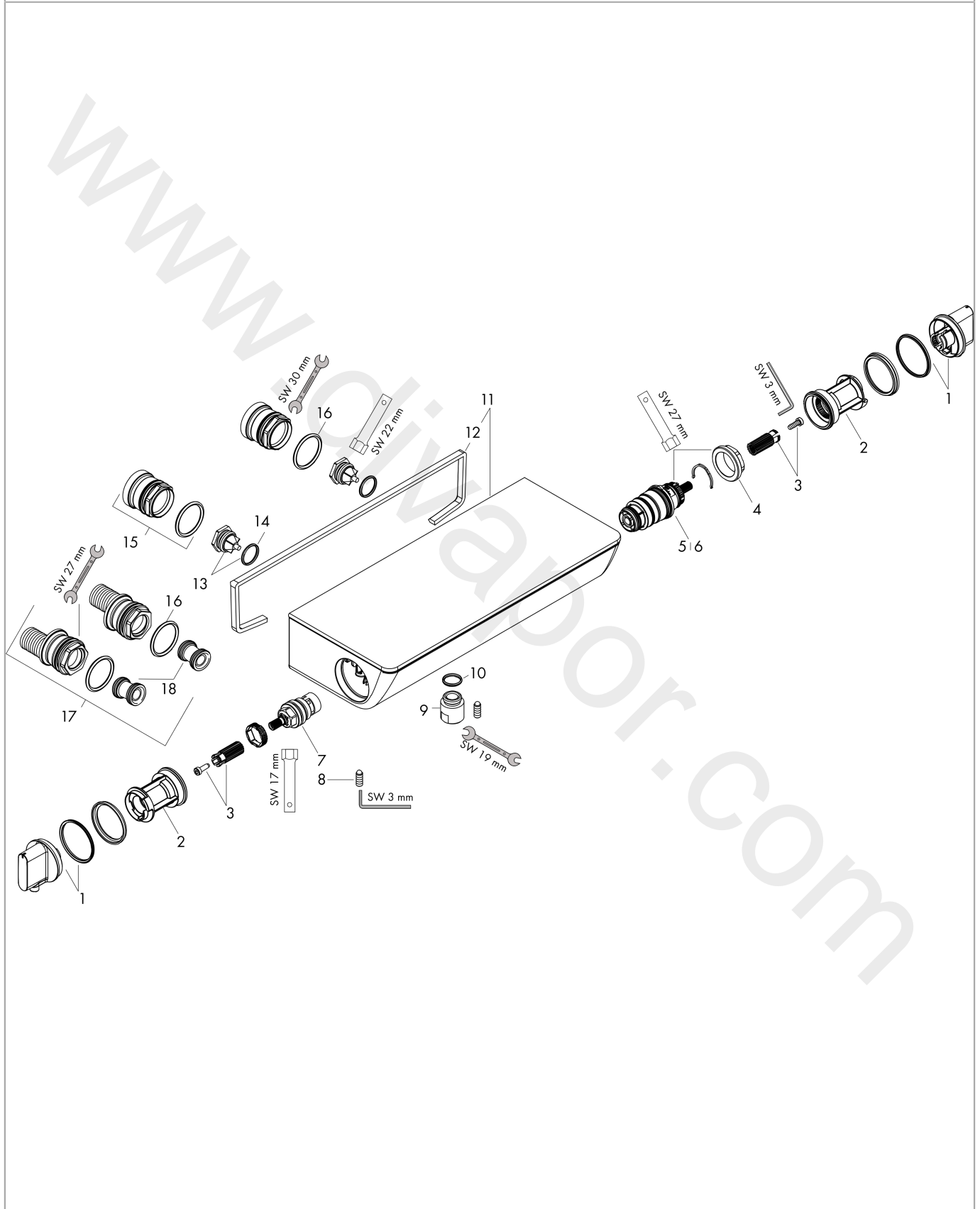
www.divapor.com

**Ecostat Select**  
**Shower thermostat for exposed installation renovation**  
 Finish: **White/Chrome**    Article Number: **13111400**



**Exploded Drawing**

Year of production: >08/14



**Ecostat Select**  
**Shower thermostat for exposed installation renovation**  
 Finish: **White/Chrome** Article Number: **13111400**



### Spare part list

Year of production: >08/14

Pos.	Description	Article Number	Price	PU
1	handle for thermostat	95770000	£ 64,00	1
2	safety set	95771000	£ 9,00	1
3	handle fixing set	98290000	£ 9,00	1
4	nut	98913000	£ 20,50	1
5	thermostat cartridge	98282000	£ 110,00	1
6	cartridge for exchanged connections	92373000	£ 275,00	1
7	shut off unit	94149000	£ 35,00	1
8	hollow set screw M6x16 including o-ring 29x3	98372000	£ 9,00	1
9	connecting thread	95392000	£ 20,50	1
10	O-ring 14x2	98129000	£ 3,30	1
11	escutcheon	98477400	£ 275,00	1
12	seal	97530000	£ 6,10	1
13	non return valve (pressure-resistant up to 2 MPa)	95773000	£ 35,00	1
14	O-ring 17x2	98199000	£ 3,30	1
15	adapter for ball S - union	02026000	£ 51,00	1
16	O-ring 29x3	98371000	£ 6,10	1
17	set of S-unions	95772000	£ 96,00	1
18	noise reduction	96429000	£ 6,10	1
a	brake disc	92832000	£ 6,10	1
b	Grease	90920000	£ 16,10	1