

ShowerTablet

Thermostat 600 universal for exposed installation for 2 functions

Finish: **White/Chrome** Article Number: **13108400**



Description

product features

- 2 functions
- volume control and diverter for 2 functions
- CoolContact thermostat: Prevents the housing from heating up, making showering even safer
- thermostat cartridge, shut-off/ diverter valve
- maximum flow rate at 3 bar: 25 l/min
- flow rate upper outlet: 25 l/min
- surface of the cover at color variant -000 = mirror glass, at color variant -400 = white glass
- control of an external shower or bath tub filler via concealed connection G 1/2 possible
- Safety stop at 40 °C
- temperature limitation adjustable
- with isolated water conduction
- non-return valve
- with silencer
- surface shelf: aluminium anodized
- material handles: metal
- material cover: safety glass
- centre distance: 150 mm
- connection dimension: DN15
- connection type: G 1/2
- dirt filter included
- WRAS 1906013

Article Details

Price excl. VAT

925,00 £

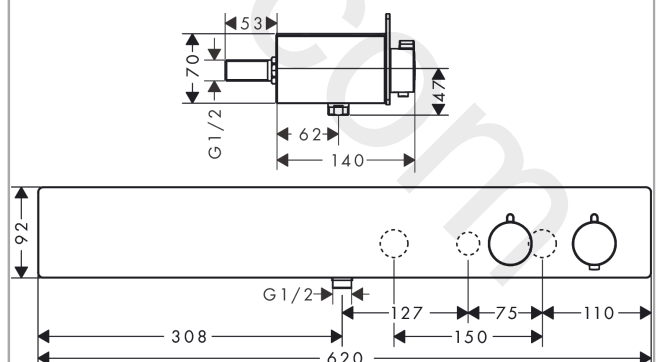
Technology



Product image



Scale drawing



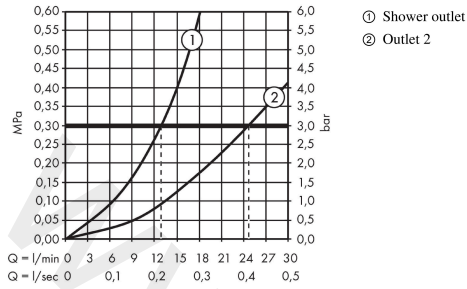
ShowerTablet

Thermostat 600 universal for exposed installation for 2 functions

Finish: **White/Chrome** Article Number: **13108400**



Flowchart



www.divapor.com

ShowerTablet

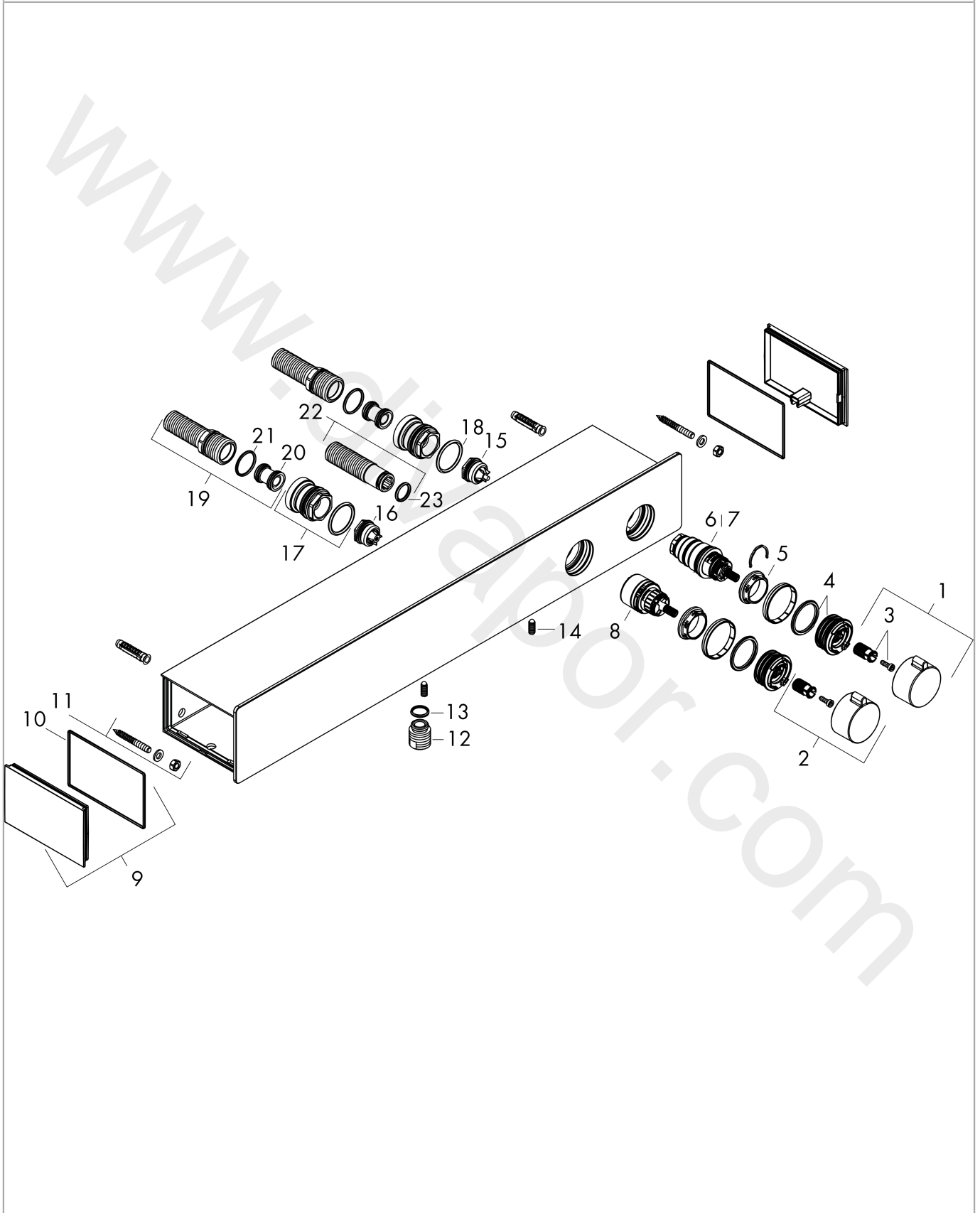
Thermostat 600 universal for exposed installation for 2 functions

Finish: **White/Chrome** Article Number: **13108400**



Exploded Drawing

Year of production: >10/17



ShowerTablet**Thermostat 600 universal for exposed installation for 2 functions**Finish: **White/Chrome** Article Number: **13108400****Spare part list**

Year of production: >10/17

| Pos. | Description | Article Number | Price | PU |
|------|---|----------------|----------|----|
| 1 | handle for shut off unit | 93226000 | £ 51,00 | 1 |
| 2 | handle | 93227000 | £ 64,00 | 1 |
| 3 | handle fixing set | 93228000 | £ 9,00 | 1 |
| 4 | safety set | 93229000 | £ 3,30 | 1 |
| 5 | nut | 98913000 | £ 20,50 | 1 |
| 6 | thermostat cartridge | 98282000 | £ 110,00 | 1 |
| 7 | cartridge for exchanged connections | 92373000 | £ 275,00 | 1 |
| 8 | shut off unit with selector | 98283000 | £ 79,00 | 1 |
| 9 | cover | 93225000 | £ 25,00 | 1 |
| 10 | O-ring 76x2,5 | 98431000 | £ 6,10 | 1 |
| 11 | mounting kit | 98744000 | £ 51,00 | 1 |
| 12 | connecting thread | 95392000 | £ 20,50 | 1 |
| 13 | O-ring 14x2 | 98129000 | £ 3,30 | 1 |
| 14 | hollow set screw M6x16 including o-ring 29x3 | 98372000 | £ 9,00 | 1 |
| 15 | non return valve with filter | 93224000 | £ 25,00 | 1 |
| 16 | non return valve (pressure-resistant up to 2 MPa) | 93223000 | £ 35,00 | 1 |
| 17 | adapter for ball S - union | 02026000 | £ 51,00 | 1 |
| 18 | O-ring 29x3 | 98371000 | £ 6,10 | 1 |
| 19 | set of connecting threads | 93231000 | £ 64,00 | 1 |
| 20 | noise reduction | 96429000 | £ 6,10 | 1 |
| 21 | O-ring 23x2 | 98398000 | £ 3,30 | 1 |
| 22 | connecting thread | 93232000 | £ 43,00 | 1 |
| 23 | O-ring 15x2,5 | 98131000 | £ 3,30 | 1 |
| a | base body | 13129180 | £ 142,00 | 1 |
| b | compensation set | 93333000 | £ 275,00 | 1 |