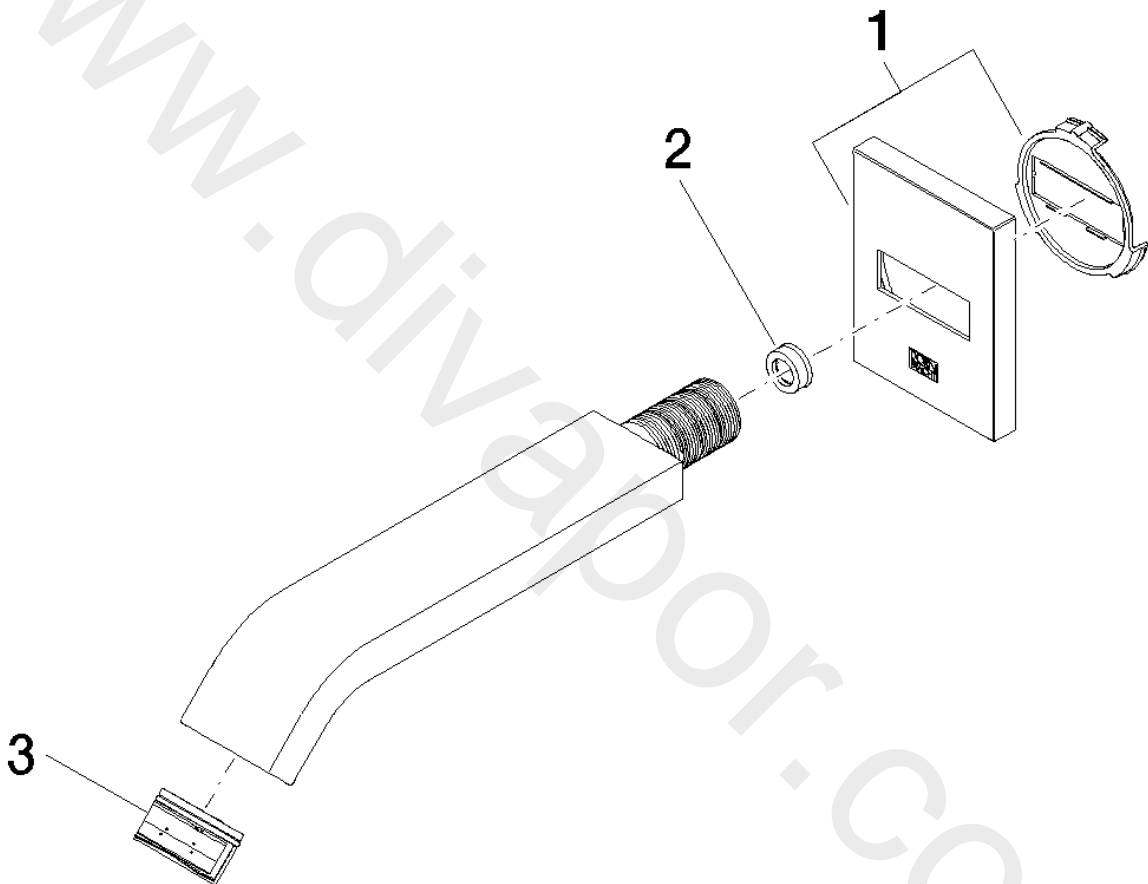


Sink - IMO

Lavatory spout, wall-mounted without drain - Chrome

Article number: 13 800 670-00 0010

Date of manufacture from 3/13/2017



Spare parts list

Position	Number of units	Item Number	Spare part	Lead time
1	1	90 27 67 017 00-00	rosette	10
2	1	09 23 01 079 90	flow reducer	2
3	1	90 29 03 118 00 90	aerator	2



Sink - IMO

Lavatory spout, wall-mounted without drain - Chrome

Article number: 13 800 670-00 0010

Date of manufacture from 3/13/2017

www.divapor.com