

AXOR Starck Organic
Shut-off valve 120/120 for concealed installation
Finish: **Chrome** Article Number: **12771000**



product features

- connection type: DN15/DN20
- in a freely arranged installation, basic sets no.16973180, no.16974180 or no.16970180 can also be used

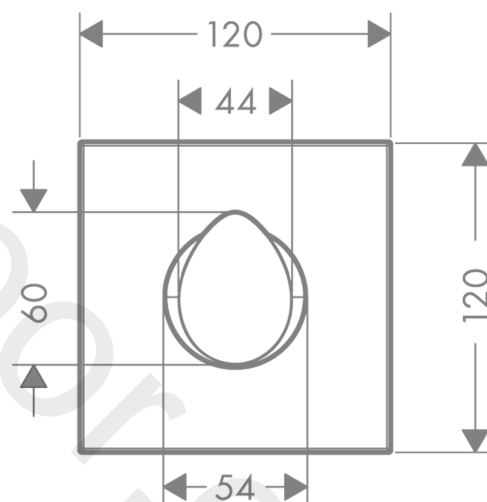
Article Details

Price excl. VAT 192,50 £

Product image



Scale drawing

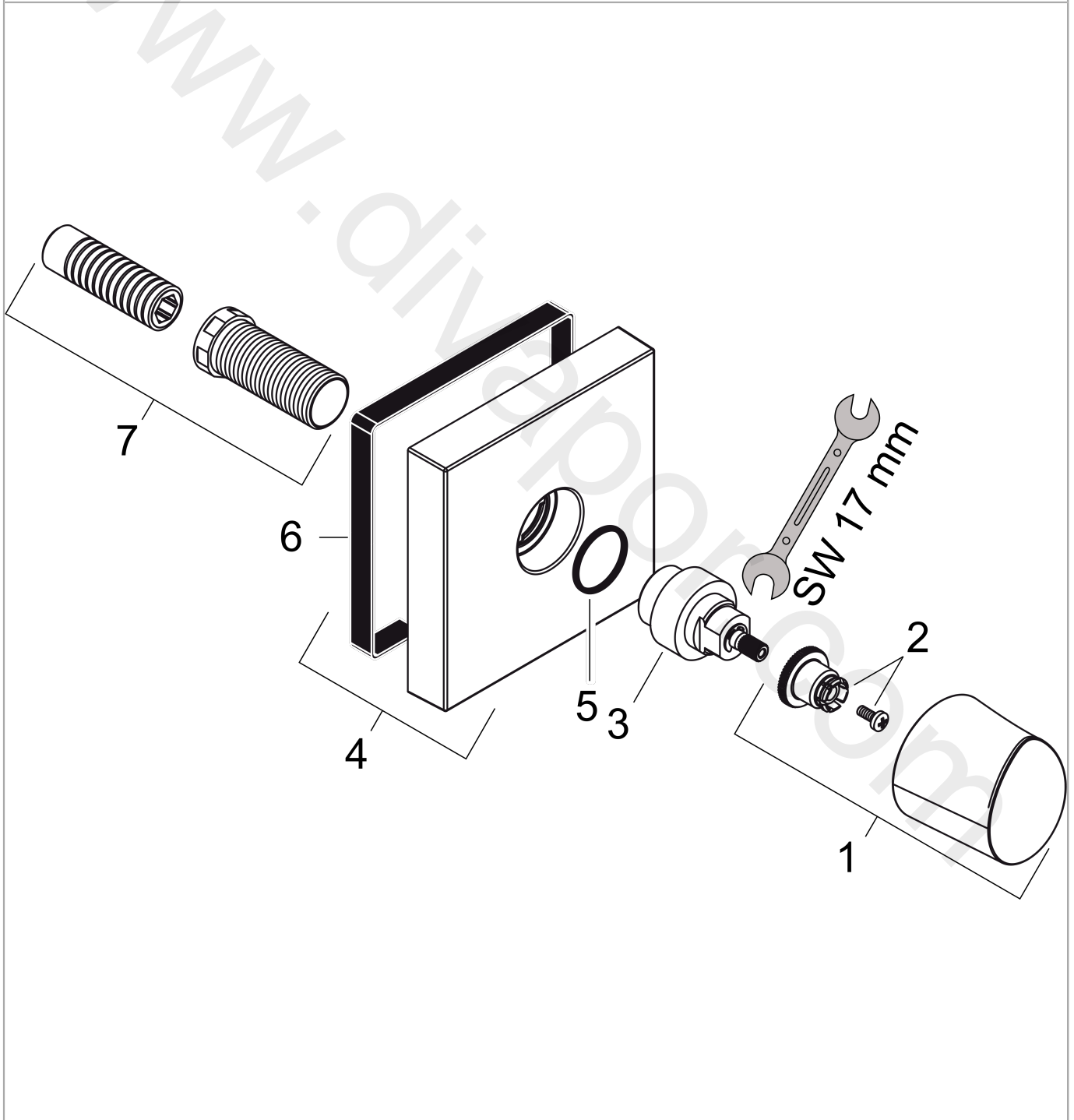


AXOR Starck Organic
Shut-off valve 120/120 for concealed installation
Finish: **Chrome** Article Number: **12771000**



Exploded Drawing

Year of production: >11/12



AXOR Starck Organic
Shut-off valve 120/120 for concealed installation
 Finish: **Chrome** Article Number: **12771000**



Spare part list

Year of production: >11/12

Pos.		Article Number	Price	PU
1	handle	98312000	£ 137,00	1
2	handle fixing set	94184000	£ 6,10	1
3	adapter for handle	95153000	£ 79,00	1
4	escutcheon	95358000	£ 173,00	1
5	seal	97737000	£ 9,00	1
6	O-ring 26x2	98147000	£ 3,30	1
7	fixing set	96393000	£ 35,00	1
a	concealed item	10971180	£ 169,00	1
b	concealed items 1/2"	15973180	£ 130,00	1
c	concealed items 1/2"	15974180	£ 133,00	1
d	concealed items DN20 (3/4")	15970180	£ 138,00	1
e	extension 25 mm	96370000	£ 84,00	1