

**AXOR Starck Organic**  
**Thermostatic module 360/120 for concealed installation**  
 Finish: **Chrome** Article Number: **12717000**



### product features

- 3 functions
- thermostat cartridge
- simultaneous use of several outlets
- min. operating pressure: 1,5 bar
- max. operating pressure: 10 bar
- safety stop at 40 °C
- temperature limitation adjustable
- non-return valve
- connection dimension: DN20
- connection type: basic set

### Article Details

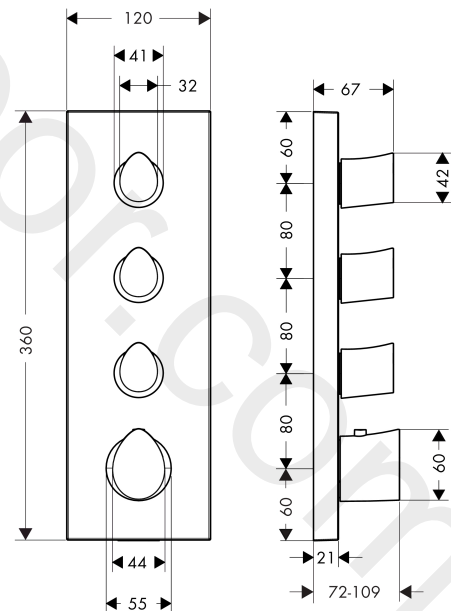
Price excl. VAT

1.250,00 £

### Product image



### Scale drawing

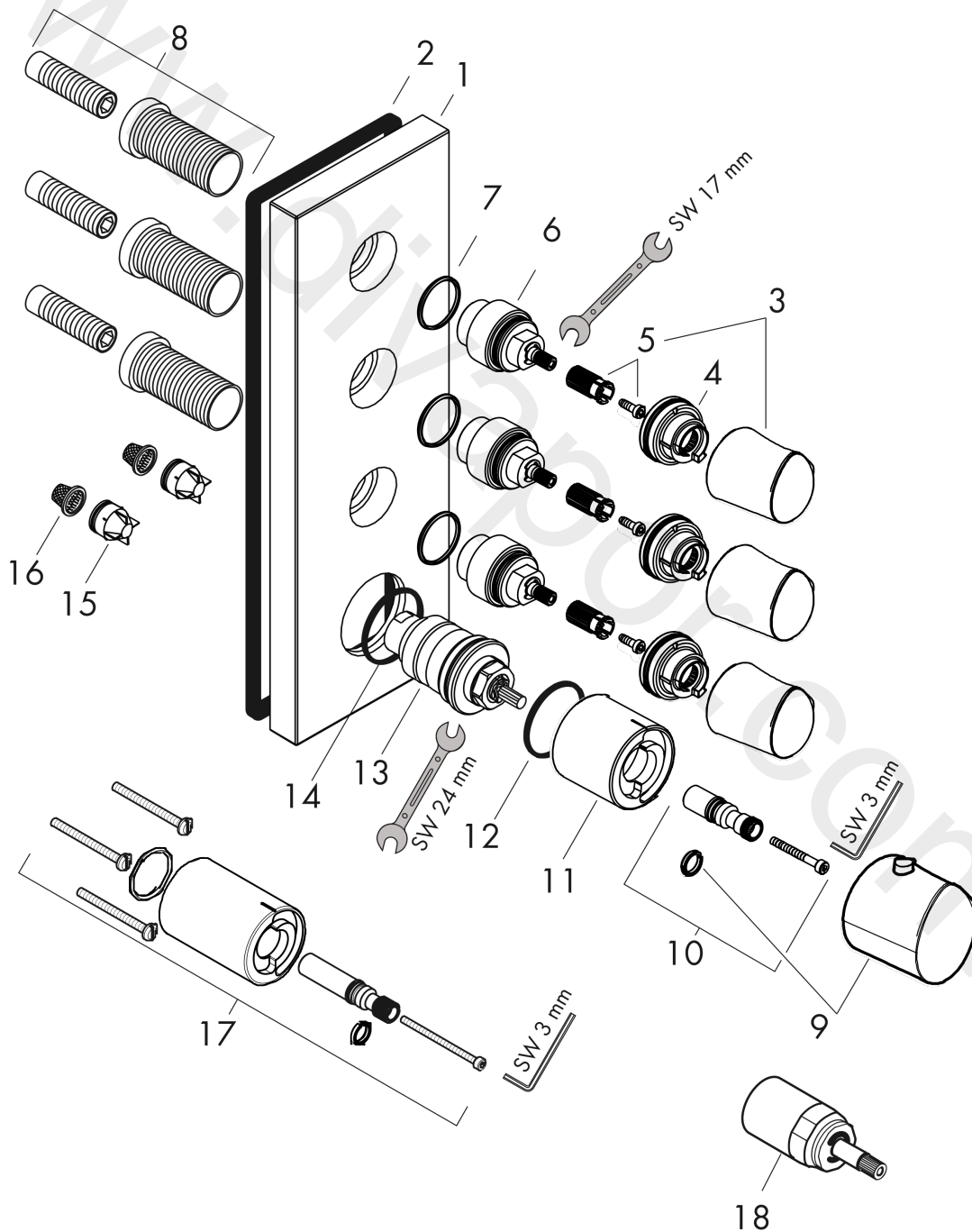


**AXOR Starck Organic**  
**Thermostatic module 360/120 for concealed installation**  
Finish: **Chrome** Article Number: **12717000**



## Exploded Drawing

Year of production: >04/14



**AXOR Starck Organic**  
**Thermostatic module 360/120 for concealed installation**  
 Finish: **Chrome** Article Number: **12717000**



## Spare part list

Year of production: >04/14

Pos.		Article Number	Price	PU
1	escutcheon	95317000	£ 445,00	1
2	seal	95885000	£ 13,30	1
3	handle	98333000	£ 110,00	1
4	safety set	98289000	£ 16,10	1
5	handle fixing set	98290000	£ 9,00	1
6	adapter for handle	92293000	£ 96,00	1
7	O-ring 26x2	98147000	£ 3,30	1
8	fixing set	96393000	£ 35,00	1
9	handle for thermostat	98313000	£ 137,00	1
10	adapter for handle	98321000	£ 35,00	1
11	sleeve	98320000	-	1
12	O-ring 28x2,5	98209000	£ 3,30	1
13	thermostat cartridge	96633000	£ 137,00	1
14	O-ring 48x4	98414000	£ 9,00	1
15	set of non return valves DW 15	97350000	£ 20,50	1
16	filter	97973000	£ 16,10	1
17	extension 25 mm	12790000	£ 223,00	1
18	extension 25 mm	96370000	£ 84,00	1