

AXOR Starck Organic
Thermostat HighFlow 120/120 for concealed installation
 Finish: **Chrome** Article Number: **12712000**



product features

- thermostat cartridge
- maximum flow rate at 3 bar: 59 l/min
- min. operating pressure: 1 bar
- max. operating pressure: 10 bar
- safety stop at 40 °C
- temperature limitation adjustable
- with silencer
- connection type: basic set

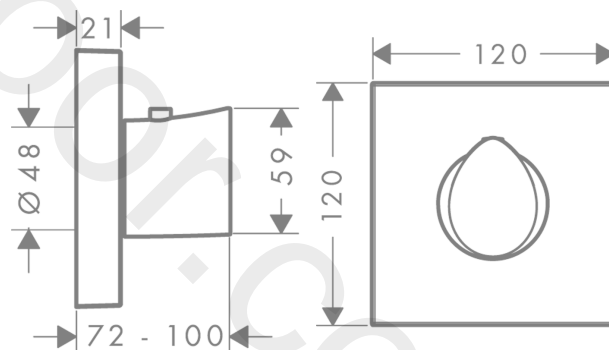
Article Details

Price excl. VAT 683,33 £

Product image



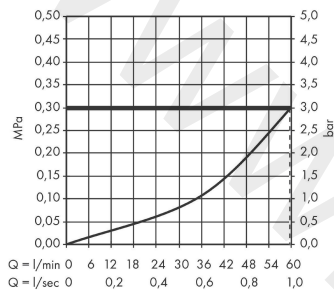
Scale drawing



AXOR Starck Organic
Thermostat HighFlow 120/120 for concealed installation
Finish: **Chrome** Article Number: **12712000**



Flowchart

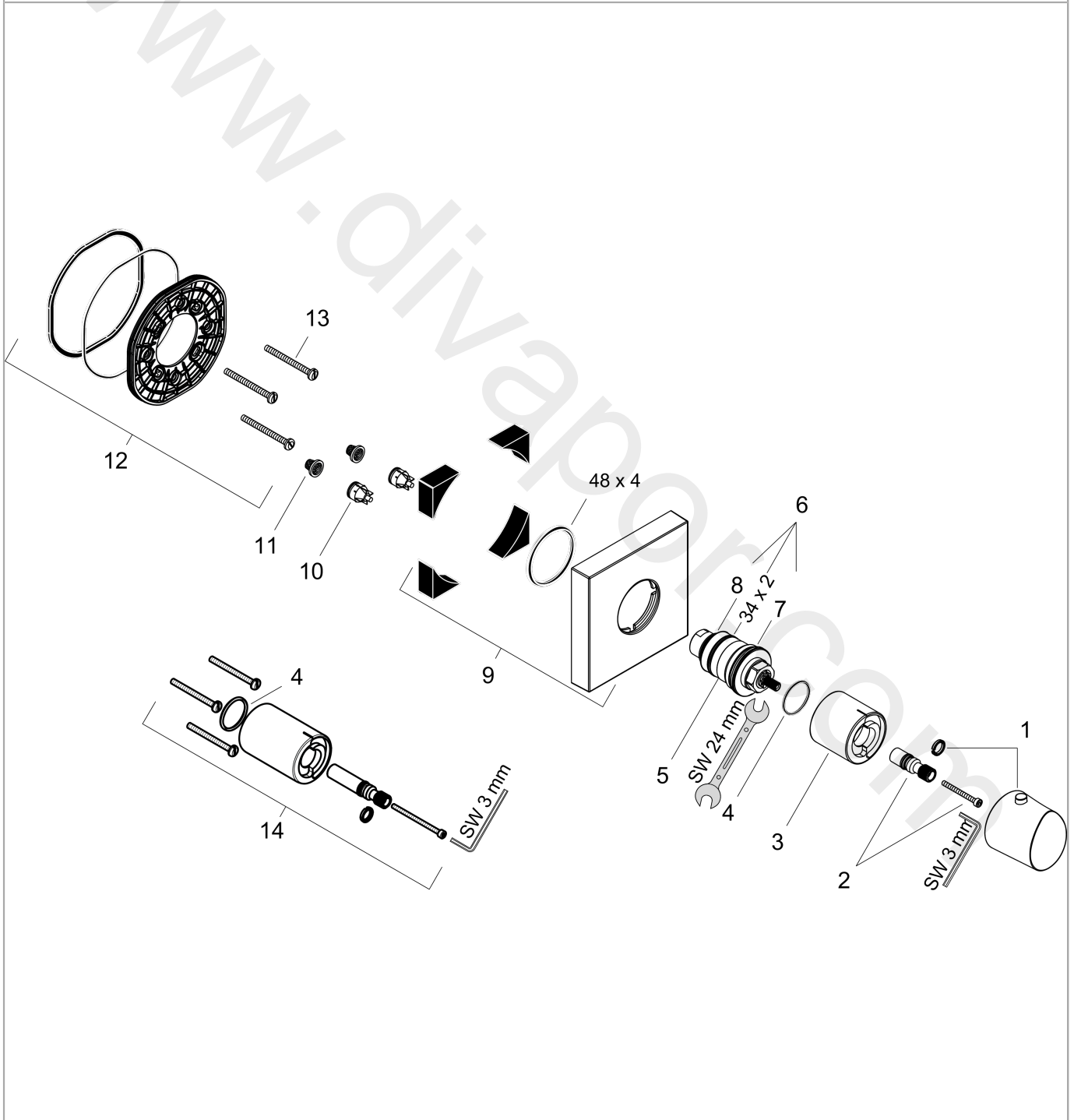


AXOR Starck Organic
Thermostat HighFlow 120/120 for concealed installation
 Finish: **Chrome** Article Number: **12712000**



Exploded Drawing

Year of production: >11/12



AXOR Starck Organic
Thermostat HighFlow 120/120 for concealed installation
 Finish: **Chrome** Article Number: **12712000**



Spare part list

Year of production: >11/12

Pos.		Article Number	Price	PU
1	handle for thermostat	98313000	£ 137,00	1
2	adapter for handle	98321000	£ 35,00	1
3	sleeve	98320000	-	1
4	O-ring 28x2,5	98209000	£ 3,30	1
5	thermostat cartridge	96633000	£ 137,00	1
6	sealing set	96636000	£ 51,00	1
7	O-ring 38x2,5	98198000	£ 6,10	1
8	O-ring 26x2	98147000	£ 3,30	1
9	escutcheon	95467000	£ 173,00	1
10	set of non return valves DW 15	97350000	£ 20,50	1
11	filter	97973000	£ 16,10	1
12	sub plate	95450000	£ 16,10	1
13	set of fixing screws	96454000	£ 9,00	1
14	extension 25 mm	12790000	£ 223,00	1