

## AXOR Starck

Single lever shower mixer for exposed installation with round lever handle 2 ticks

Finish: **Chrome** Article Number: **12612009**



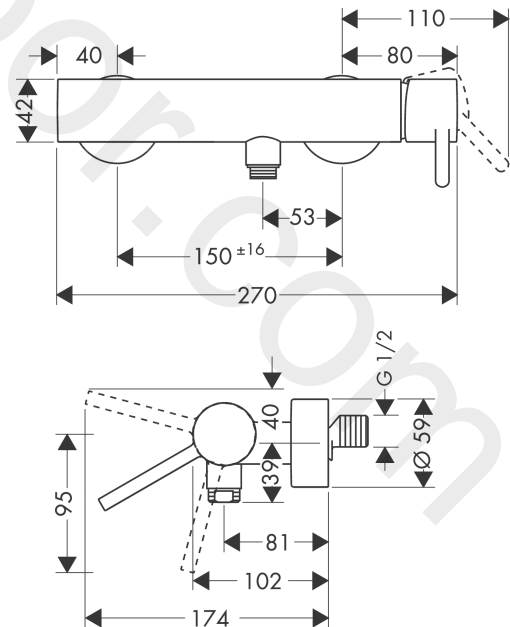
### product features

- consists of: single lever shower mixer
- 1 function
- centre distance:  $150 \pm 16$  mm
- ceramic cartridge
- temperature limitation adjustable
- non-return valve
- with silencer
- suitable for continuous flow water heaters
- hose connection DN15
- connection dimension: DN15
- min. operating pressure: 1 bar
- max. operating pressure: 10 bar
- connection type: s-shaped connections

### Product image



### Scale drawing



**AXOR Starck**

**Single lever shower mixer for exposed installation with round lever handle 2 ticks**

Finish: **Chrome** Article Number: **12612009**



**Flowchart**

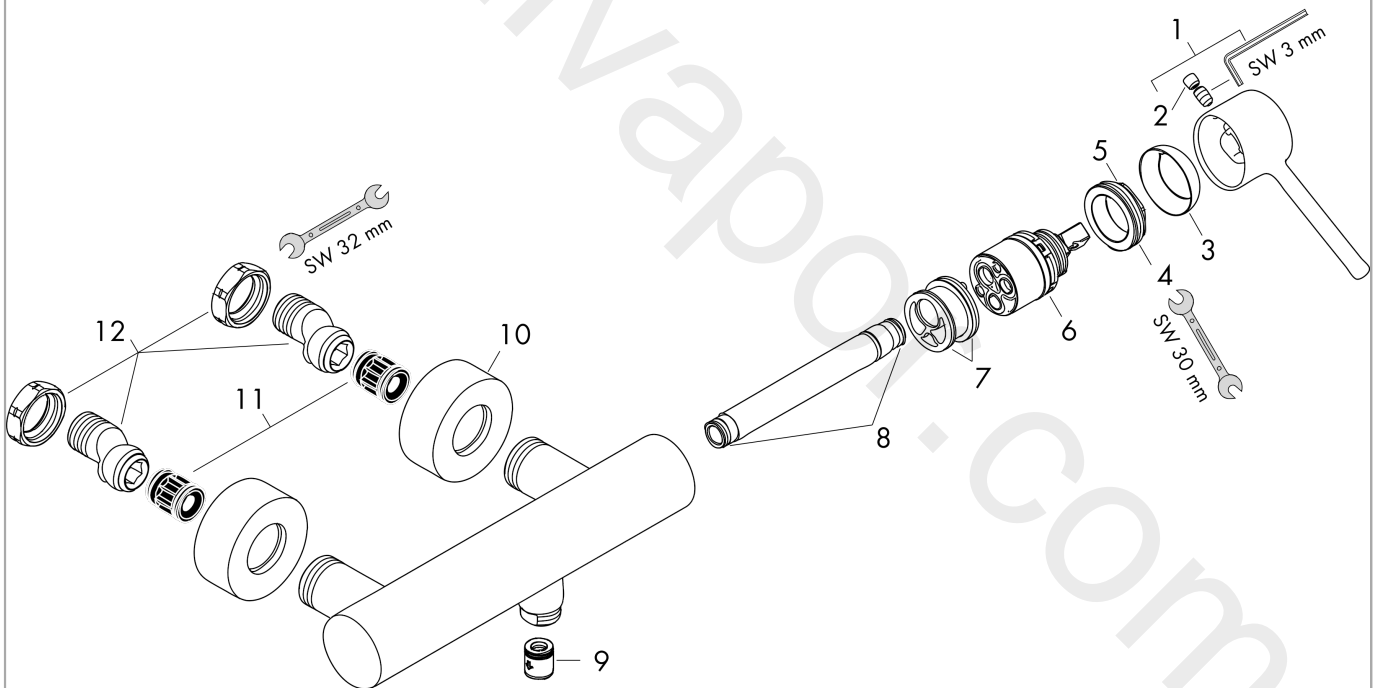


**AXOR Starck**  
**Single lever shower mixer for exposed installation with round lever handle 2 ticks**  
Finish: **Chrome** Article Number: **12612009**



## Exploded Drawing

Year of production: >04/20



**AXOR Starck**  
**Single lever shower mixer for exposed installation with round lever handle 2 ticks**  
 Finish: **Chrome** Article Number: **12612009**



## Spare part list

Year of production: >04/20

Pos.		Article Number	Price	PU
1	handle	10093000	£ 79,00	1
2	screw cover	96762000	£ 3,30	1
3	flange	96763000	£ 9,00	1
4	nut	97209000	£ 16,10	1
5	O-ring 33x2	98154000	£ 3,30	1
6	cartridge, assy	92730000	£ 35,00	1
7	O-ring 29x2	98391000	£ 3,30	1
8	O-ring 11x2	98127000	£ 3,30	1
9	non return valve	92839000	-	1
10	escutcheon Ø 59 mm	97507000	£ 35,00	1
11	noise reduction	96429000	£ 6,10	1
12	set of S-unions with nuts	96742000	£ 51,00	1