

AXOR Starck Organic
Single lever shower mixer for concealed installation
 Finish: **Chrome** Article Number: **12605000**



product features

- 1 function
- maximum flow rate at 3 bar: 29,3 l/min
- ceramic cartridge
- temperature limitation adjustable
- with silencer
- suitable for continuous flow water heaters
- min. operating pressure: 1 bar
- max. operating pressure: 10 bar
- connection type: basic set
- WRAS 1905003

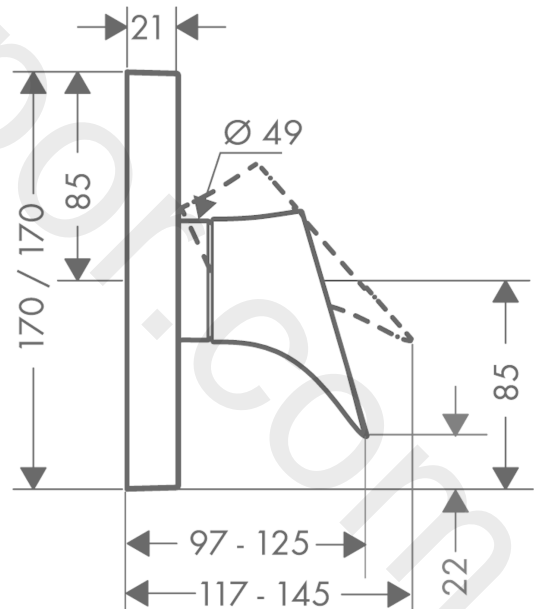
Article Details

Price excl. VAT 350,00 £

Product image



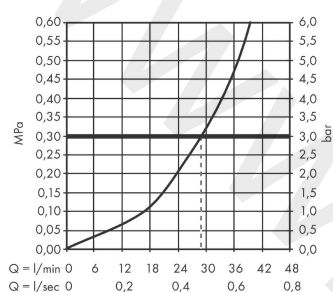
Scale drawing



AXOR Starck Organic
Single lever shower mixer for concealed installation
Finish: **Chrome** Article Number: **12605000**



Flowchart

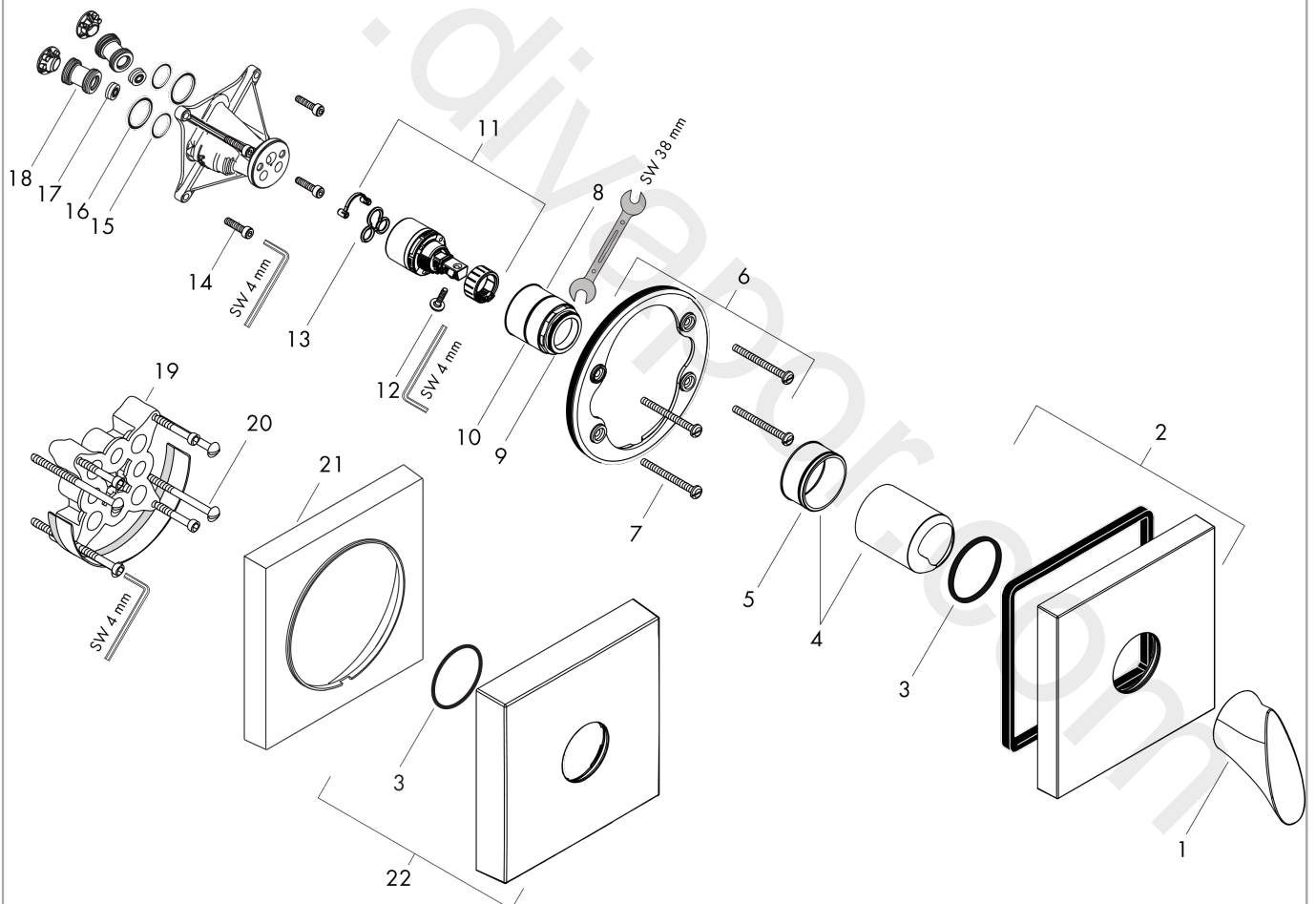


AXOR Starck Organic
Single lever shower mixer for concealed installation
Finish: **Chrome** Article Number: **12605000**



Exploded Drawing

Year of production: >10/19



AXOR Starck Organic
Single lever shower mixer for concealed installation
 Finish: **Chrome** Article Number: **12605000**



Spare part list

Year of production: >10/19

Pos.		Article Number	Price	PU
1	handle	98311000	£ 137,00	1
2	escutcheon	98314000	£ 173,00	1
3	O-Ring 48x3	95508000	£ 3,30	1
4	flange	98684000	£ 43,00	1
5	O-ring 43x1,5	98148000	£ 3,30	1
6	holder for escutcheon	98793000	£ 43,00	1
7	set of fixing screws	96454000	£ 9,00	1
8	nut	98796000	£ 43,00	1
9	O-ring 30x1,5	98433000	£ 3,30	1
10	cartridge, assy	92730000	£ 35,00	1
11	locking screw for handle	95140000	£ 6,10	1
12	seal	95008000	£ 9,00	1
13	set of screws	96525000	£ 9,00	1
14	O-ring 16x2	98133000	£ 3,30	1
15	O-Ring 22x2	98185000	£ 3,30	1
16	flow limiter (22 l/min)	95884000	£ 13,30	1
17	noise reduction	96429000	£ 6,10	1
18	extension 25 mm	13595000	£ 75,00	1
19	set of fixing screws	97747000	£ 3,30	1
20	extension 22 mm	97407000	£ 72,00	1
21	escutcheon height = 33 mm (when wall is not deep enough).	14965000	£ 92,00	1
a	concealed item	01800180	£ 163,00	1
b	fixation set	96615000	£ 59,00	1