

AXOR Starck Organic

Bath spout

Finish: **Chrome** Article Number: **12417000**



product features

- 1 function
- projection: 160 mm
- maximum flow rate at 3 bar: 27 l/min
- connection dimension: device connection DN20
- spray type: laminar spray
- WRAS 2003011
- WRAS 2003011 - WRAS 2003011 approval letter

Article Details

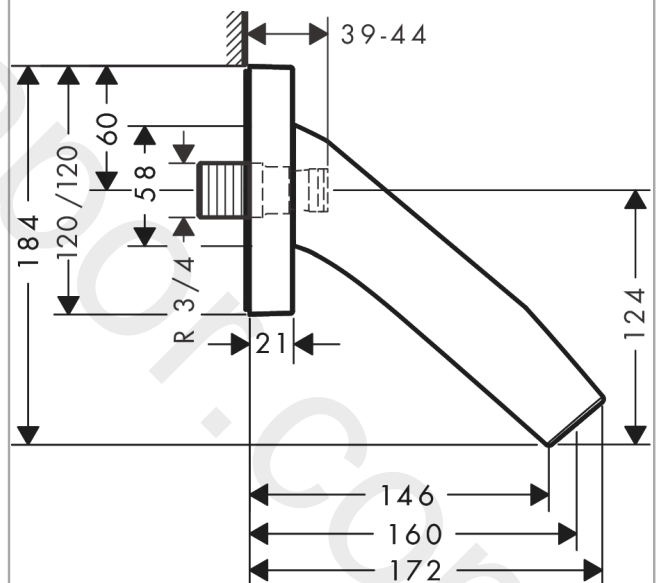
Price excl. VAT

312,50 £

Product image



Scale drawing



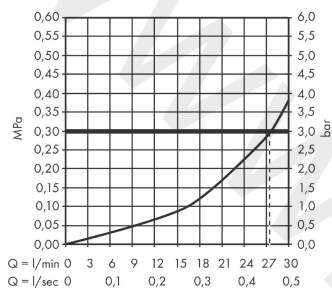
AXOR Starck Organic

Bath spout

Finish: **Chrome** Article Number: **12417000**



Flowchart



The consumption was measured in combination with the appropriate fittings (thermosta/mixer/in-wall valve) to reflect actual application in practice.

AXOR Starck Organic

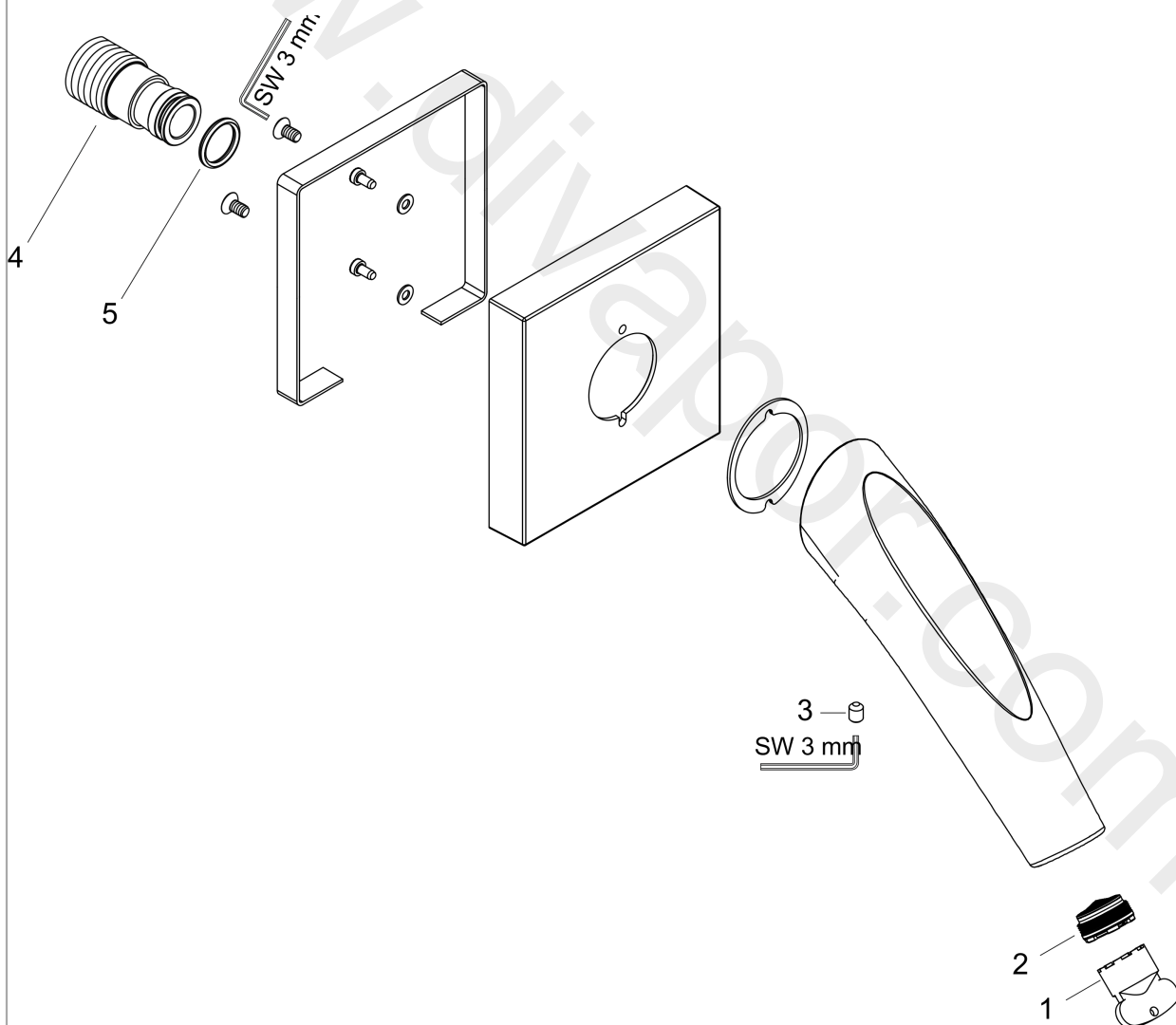
Bath spout

Finish: **Chrome** Article Number: **12417000**



Exploded Drawing

Year of production: >11/12



AXOR Starck Organic
Bath spout
 Finish: **Chrome** Article Number: **12417000**



Spare part list

Year of production: >11/12

Pos.		Article Number	Price	PU
1	special tool	95158000	£ 6,10	1
2	aerator laminar M24x1 C	98337000	£ 35,00	1
3	hollow set screw M6x8	97810000	£ 3,30	1
4	connecting thread G $\frac{3}{4}$	96472000	£ 20,50	1
5	O-ring 16x2,5	98134000	£ 3,30	1
a	connecting thread G $\frac{1}{2}$	97228000	£ 51,00	1