

AXOR Starck Organic
Single lever bath mixer for concealed installation with integrated security combination
according to EN1717

Finish: **Chrome** Article Number: **12416000**



product features

- 2 functions
- maximum flow rate at 3 bar: 22 l/min
- ceramic cartridge
- temperature limitation adjustable
- diverter with automatic resetting
- with silencer
- suitable for continuous flow water heaters
- with integrated safety combination EN 1717
- connection type: basic set
- wall-mounted

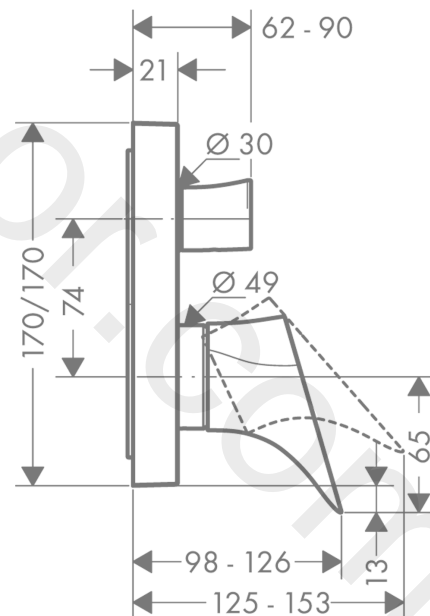
Article Details

Price excl. VAT 595,83 £

Product image



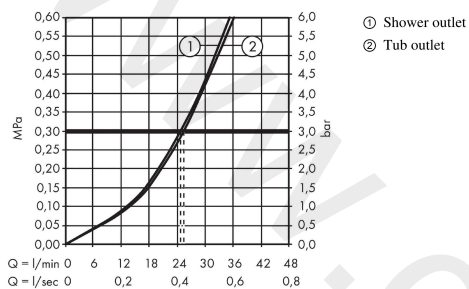
Scale drawing



AXOR Starck Organic
Single lever bath mixer for concealed installation with integrated security combination
according to EN1717
Finish: **Chrome** Article Number: **12416000**



Flowchart

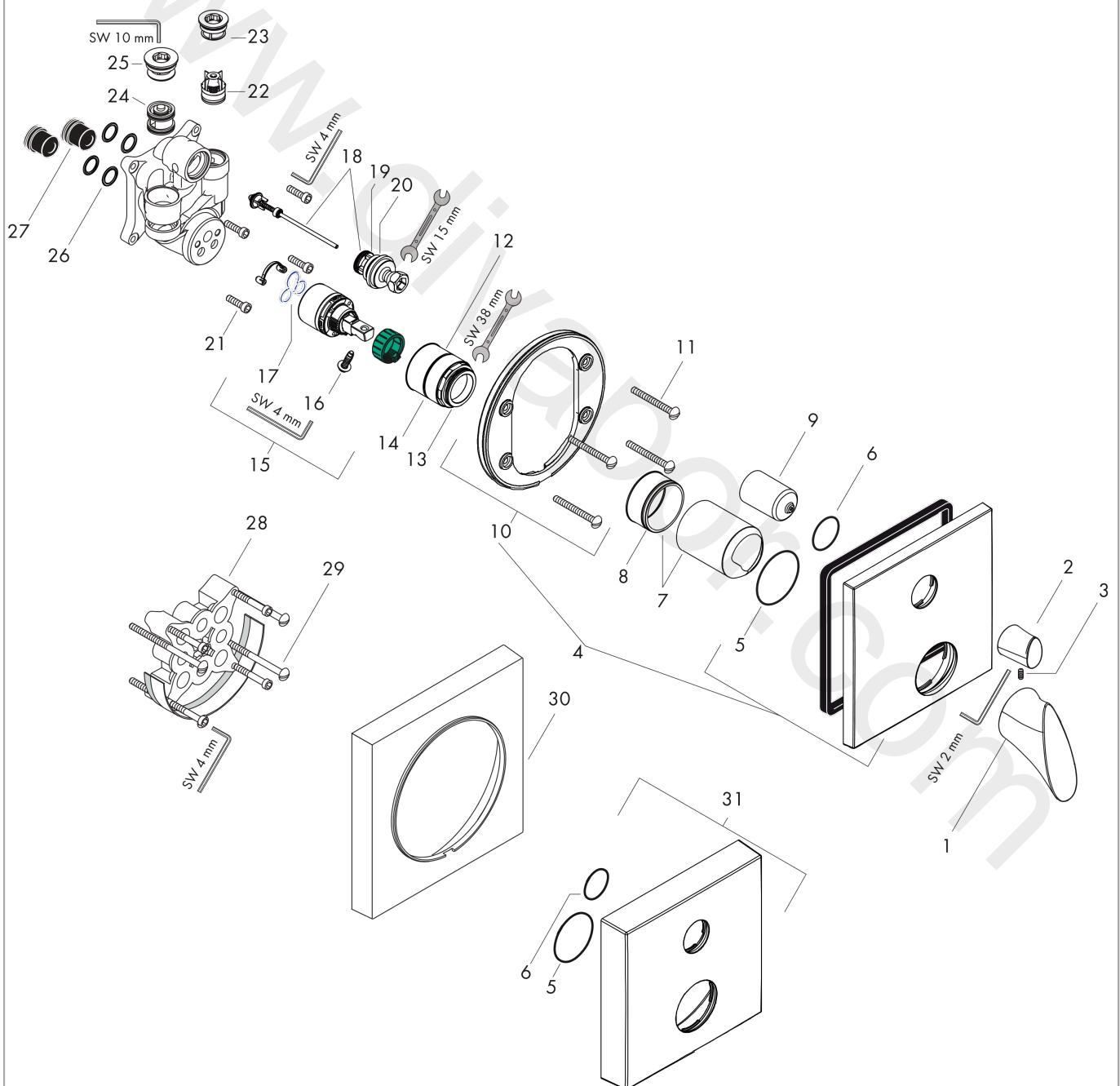


AXOR Starck Organic
Single lever bath mixer for concealed installation with integrated security combination
according to EN1717
 Finish: **Chrome** Article Number: **12416000**



Exploded Drawing

Year of production: >01/17



AXOR Starck Organic
Single lever bath mixer for concealed installation with integrated security combination
according to EN1717

Finish: **Chrome** Article Number: **12416000**



Spare part list

Year of production: >01/17

Pos.		Article Number	Price	PU
1	handle	98311000	£ 137,00	1
2	diverter knob cpl.	98310000	£ 64,00	1
3	hollow set screw M4x10	97667000	£ 3,30	1
4	escutcheon	98309000	£ 173,00	1
5	O-Ring 48x3	95508000	£ 3,30	1
6	O-ring 29x3	98371000	£ 6,10	1
7	flange	98684000	£ 43,00	1
8	O-ring 43x1,5	98148000	£ 3,30	1
9	sleeve	98308000	£ 64,00	1
10	holder for escutcheon	98793000	£ 43,00	1
11	set of fixing screws	96454000	£ 9,00	1
12	nut	98796000	£ 43,00	1
13	O-ring 30x1,5	98433000	£ 3,30	1
14	O-ring 39x1,5	98400000	£ 3,30	1
15	cartridge, assy	92730000	£ 35,00	1
16	locking screw for handle	95140000	£ 6,10	1
17	seal	95008000	£ 9,00	1
18	selector assy	95014000	£ 64,00	1
19	O-ring 17x2	98199000	£ 3,30	1
20	O-ring 20x2,5	92602000	£ 6,10	1
21	set of screws	96525000	£ 9,00	1
22	non return valve	96655000	£ 13,30	1
23	O-ring 19x2	98426000	£ 3,30	1
24	vacuum breaker	96753000	£ 16,10	1
25	O-Ring 22x2	98185000	£ 3,30	1
26	O-ring 16x2	98133000	£ 3,30	1
27	noise reduction	94073000	£ 25,00	1
28	extension 25 mm	13595000	£ 75,00	1
29	set of fixing screws	97747000	£ 3,30	1
30	extension 22 mm	97407000	£ 72,00	1
31	escutcheon height = 33 mm (when wall is not deep enough).	14968000	£ 92,00	1
a	concealed item	01800180	£ 163,00	1
b	fixation set	96615000	£ 59,00	1