

**AXOR Starck Organic**  
**Bath thermostat for exposed installation**  
 Finish: **Chrome** Article Number: **12410000**



## product features

- projection 218 mm
- 2 functions
- spray type mixer: laminar spray
- maximum flow rate at 3 bar: 21 l/min
- flow rate for bath spout at 3 bar: 21 l/min
- flow rate of hand shower at 3 bar: 18 l/min
- thermostat cartridge, shut-off/ diverter valve
- safety stop at 40 °C
- temperature limitation adjustable
- non-return valve
- with silencer
- connection type: s-shaped connections
- connection dimension: DN15
- wall-mounted
- min. operating pressure: 1 bar
- max. operating pressure: 10 bar
- centre distance: 150 ± 12 mm
- WRAS 1812705
- WRAS 1812705
- WRAS 1812705 - Approval letter

## Article Details

Price excl. VAT	1.000,00 £
-----------------	------------

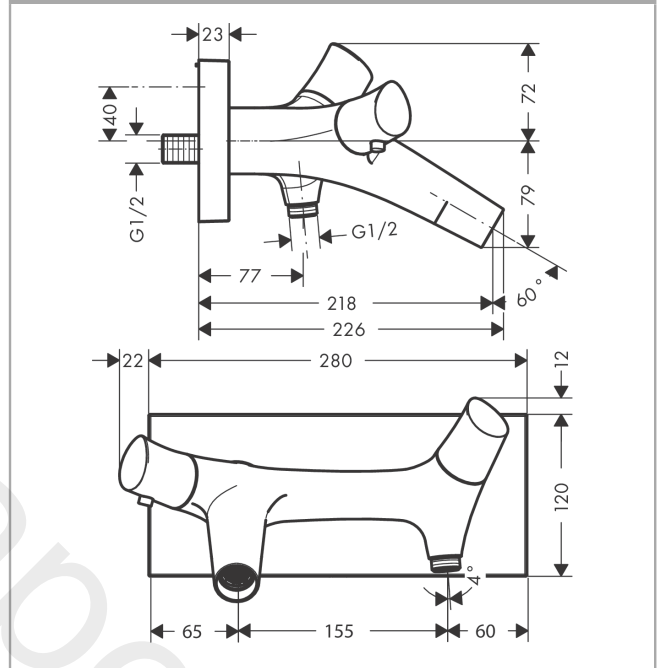
**AXOR Starck Organic**  
**Bath thermostat for exposed installation**  
 Finish: **Chrome** Article Number: **12410000**



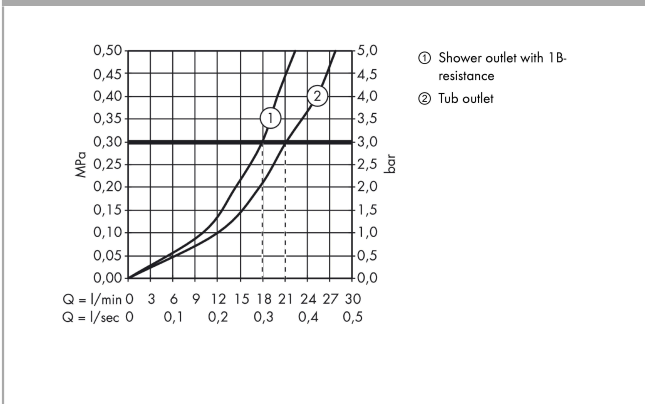
Product image



Scale drawing



Flowchart

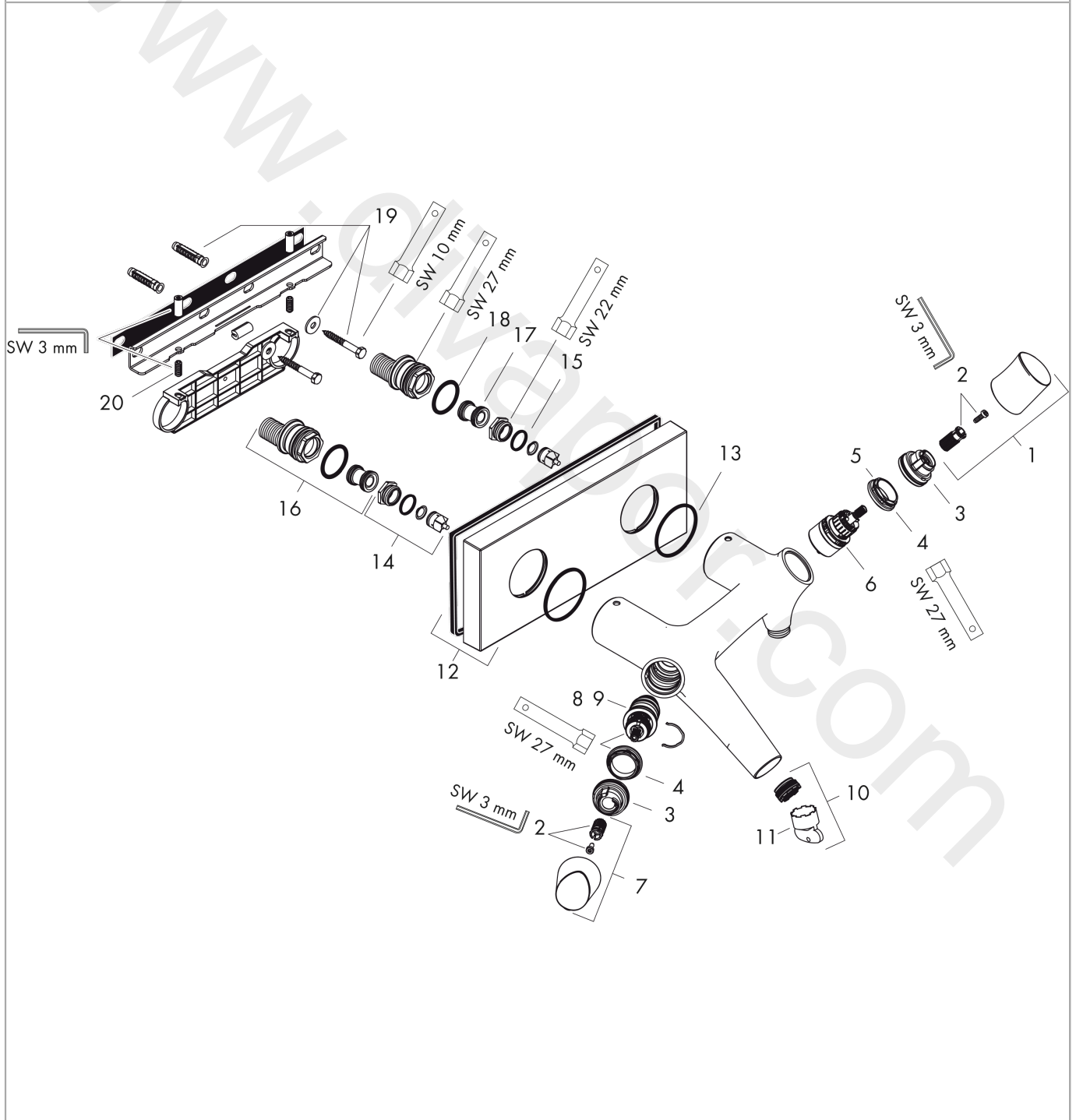


**AXOR Starck Organic**  
**Bath thermostat for exposed installation**  
 Finish: **Chrome** Article Number: **12410000**



## Exploded Drawing

Year of production: >11/12



**AXOR Starck Organic**  
**Bath thermostat for exposed installation**  
 Finish: **Chrome** Article Number: **12410000**



## Spare part list

Year of production: >11/12

Pos.		Article Number	Price	PU
1	handle	98333000	£ 110,00	1
2	handle fixing set	98290000	£ 9,00	1
3	safety set	98289000	£ 16,10	1
4	nut	98913000	£ 20,50	1
5	O-ring 26x1,5	98390000	£ 3,30	1
6	shut off unit with selector	98283000	£ 79,00	1
7	handle for thermostat	98334000	£ 137,00	1
8	thermostat cartridge	98282000	£ 110,00	1
9	non return valve	96737000	£ 35,00	1
10	aerator laminar M24x1 C	98337000	£ 35,00	1
11	special tool	95290000	£ 9,00	1
12	escutcheon	98332000	£ 370,00	1
13	O-Ring 50x2,5	95512000	£ 3,30	1
14	non return valve (pressure-resistant up to 2 MPa)	95773000	£ 35,00	1
15	O-ring 17x2	98199000	£ 3,30	1
16	set of S-unions	95772000	£ 96,00	1
17	noise reduction	96429000	£ 6,10	1
18	O-ring 29x3	98371000	£ 6,10	1
19	mounting kit	95430000	£ 43,00	1
20	hollow set screw M6x16 including o-ring 29x3	98372000	£ 9,00	1
a	adapter for ball S - union	02026000	£ 51,00	1
b	Grease	90920000	£ 16,10	1
c	O-ring 20x1,5	98197000	£ 3,30	1