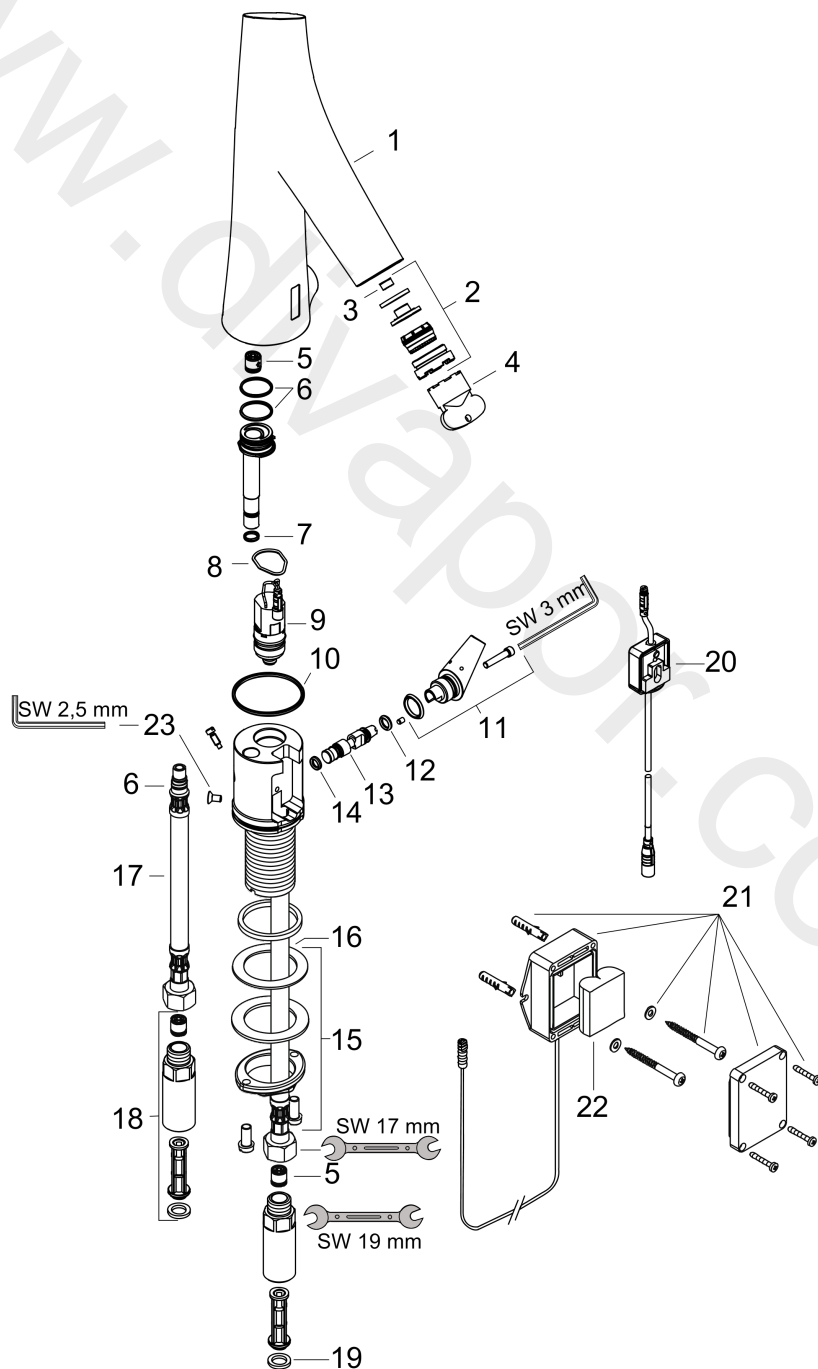


AXOR Starck Organic
Electronic basin mixer with temperature control battery-operated
 Surfaces: Article Number: **12171000**



Exploded Drawing

Year of production: **11/14 - 01/16**



AXOR Starck Organic
Electronic basin mixer with temperature control battery-operated
 Surfaces: Article Number: **12171000**



Spare part list

Year of production: **11/14 - 01/16**

Pos.		Article Number	Price	PU
1	mixer-hood	92808000	£ 585,00	1
2	spray former	92408000	£ 137,00	1
3	flow limiter (4 l/min)	92560000	-	1
4	special tool	95158000	£ 6,10	1
5	non return valve DW 10	96456000	£ 9,00	1
6	O-ring 18x1,5	98231000	£ 3,30	1
7	O-ring 7x1,5	98422000	£ 3,30	1
8	O-ring 17x2	98199000	£ 3,30	1
9	solenoid valve	95654000	£ 173,00	1
10	O-ring 41x2	98212000	£ 3,30	1
11	sliding gear lever	92409000	£ 96,00	1
12	O-ring 6x2	98458000	£ 3,30	1
13	mixing shaft	92377000	£ 79,00	1
14	O-ring 5x2	98215000	£ 3,30	1
15	fixing set (Ø 32)	13961000	£ 25,00	1
16	lever collar	97548000	£ 3,30	1
17	connection hose 450 mm	92345000	£ 35,00	1
18	back flow preventor cartridge with microfilter	92297000	£ 96,00	1
19	sealing set	95581000	£ 6,10	1
20	electronics	92346000	£ 173,00	1
21	battery box	98801000	£ 51,00	1
22	battery CR-P2 / 6V lithium	97399000	-	1
23	screw	93272000	£ 3,30	1
a	fixation extension 35 mm	13898000	£ 79,00	1