

AXOR Starck Organic
Pillar tap 50 without waste set
 Finish: **Chrome** Article Number: **12110000**



product features

- ComfortZone 50
- projection: 109 mm
- spout height: 50 mm
- handle variant: cylinder handle
- spray type: shower spray
- maximum flow rate at 3 bar: 3,5 l/min
- flow rate booster: 5 l/min
- ceramic valve for volume control
- with isolated water conduction - without contact with nickel and lead
- suitable for continuous flow water heaters
- for cold water connection
- connection type: G 3/8 connection hose
- connection dimension: DN15
- EU taxonomy: max. 6 l/min - Substantial Contribution (SC)
- WRAS 1812058
- WRAS 1812058
- WRAS 1812058 - WRAS 1812058 approval letter

Article Details

Price excl. VAT 404,17 £

Technology



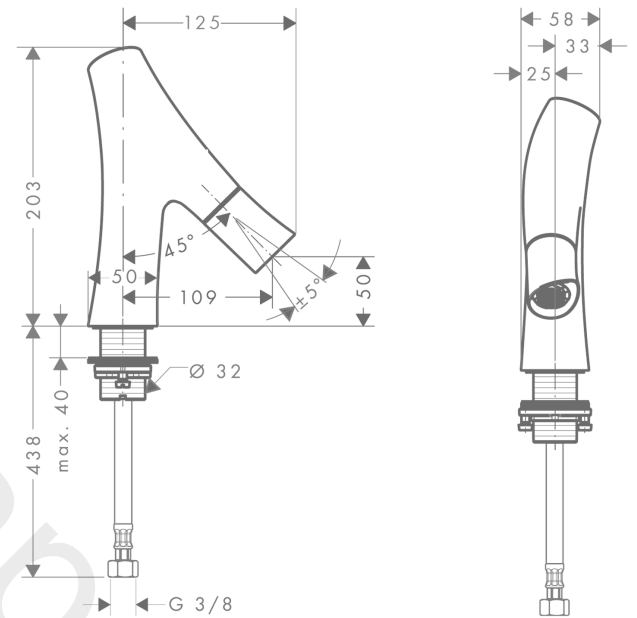
AXOR Starck Organic
Pillar tap 50 without waste set
 Finish: **Chrome** Article Number: **12110000**



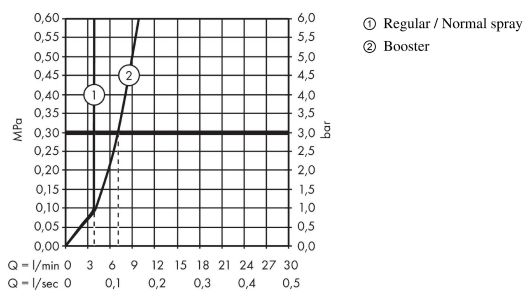
Product image



Scale drawing



Flowchart

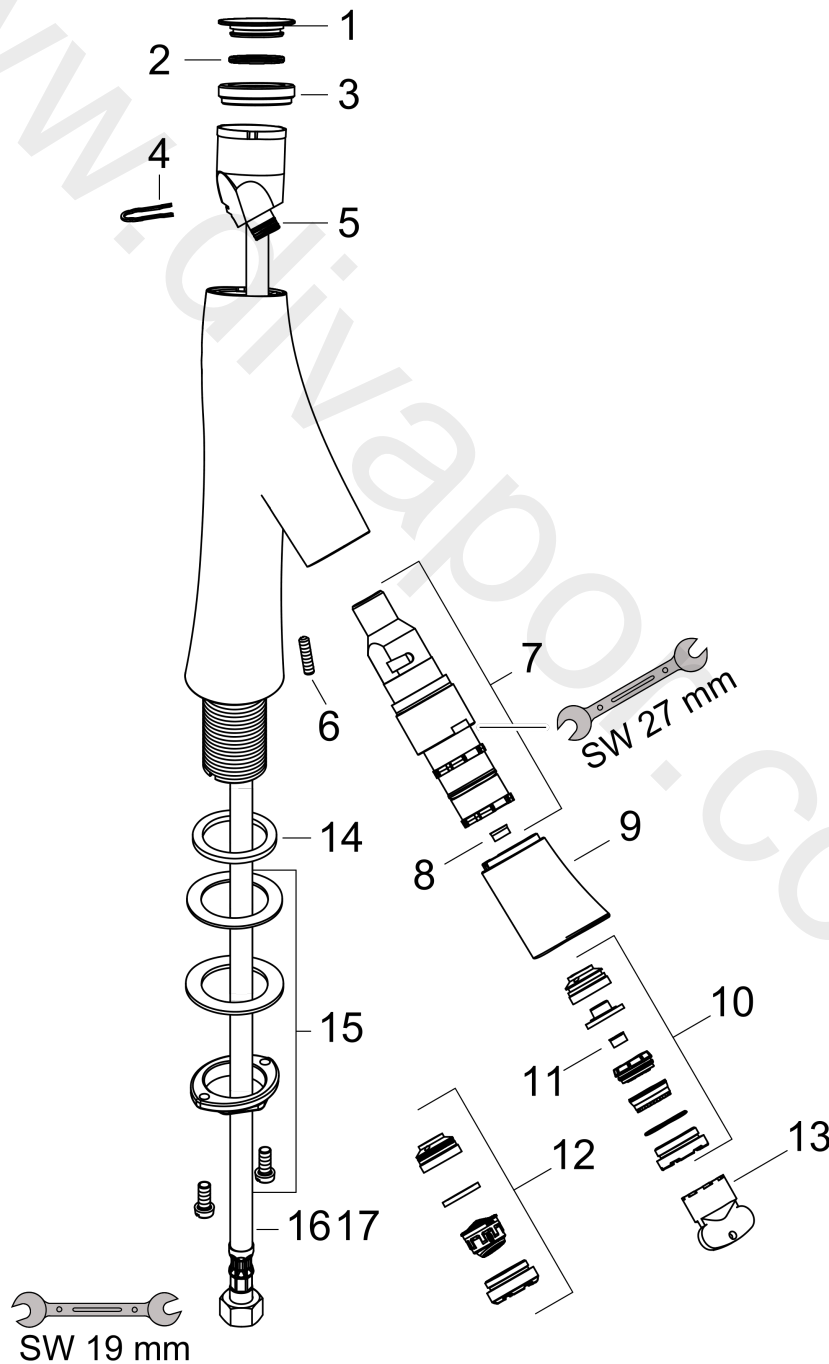


AXOR Starck Organic
Pillar tap 50 without waste set
Finish: **Chrome** Article Number: **12110000**



Exploded Drawing

Year of production: >11/12



AXOR Starck Organic
Pillar tap 50 without waste set
 Finish: **Chrome** Article Number: **12110000**



Spare part list

Year of production: >11/12

Pos.		Article Number	Price	PU
1	cover	98306000	-	1
2	O-Ring 22x2	98185000	£ 3,30	1
3	locking screw	98307000	-	1
4	cramp	98403000	£ 9,00	1
5	O-ring 11x1,5	98385000	£ 3,30	1
6	hollow set screw M5x16	98404000	£ 3,30	1
7	shut off cartridge	98302000	£ 173,00	1
8	flow limiter (3,5 l/min)	98405000	£ 9,00	1
9	spout cpl.	98297000	£ 110,00	1
10	spray former	98299000	£ 110,00	1
11	flow limiter (5 l/min)	95311000	£ 6,10	1
12	aerator M24x1 (7 l/min)	98300000	£ 51,00	1
13	special tool	95158000	£ 6,10	1
14	flat seal	98749000	£ 6,10	1
15	fixing set (Ø 32)	13961000	£ 25,00	1
16	connection hose 600 mm M8x0,75 G3/8	95664000	£ 35,00	1
17	O-ring 7x1,5	98422000	£ 3,30	1
a	fixation extension 35 mm	13898000	£ 79,00	1