

**AXOR Starck Organic**  
**2-handle basin mixer for concealed installation wall-mounted with spout 187 mm**  
 Finish: **Chrome** Article Number: **12015000**



## product features

- consists of: 2-handle basin mixer, waste set
- projection: 187 mm
- handle variant: cylinder handle
- spray type: shower spray
- maximum flow rate at 3 bar: 3,5 l/min
- flow rate booster: 5 l/min
- ceramic cartridge for temperature control
- ceramic valve for volume control
- temperature limitation adjustable
- separation of temperature and volume control
- with isolated water conduction - without contact with nickel and lead
- suitable for continuous flow water heaters
- non-closing waste set
- connection type: basic set
- connection dimension: DN15
- EU taxonomy: max. 6 l/min - Substantial Contribution (SC)
- WRAS 2112056
- WRAS 2112056 - Approval letter

## Article Details

Price excl. VAT 658,33 £

## Technology



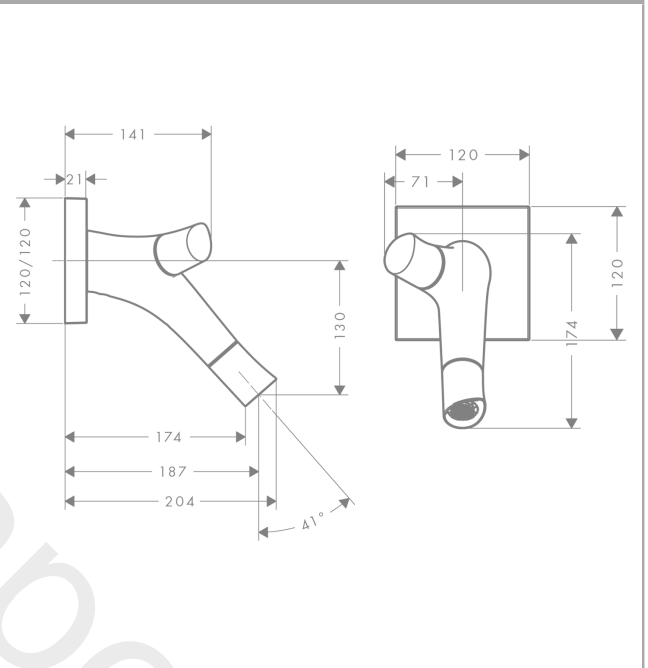
**AXOR Starck Organic**  
**2-handle basin mixer for concealed installation wall-mounted with spout 187 mm**  
 Finish: **Chrome** Article Number: **12015000**



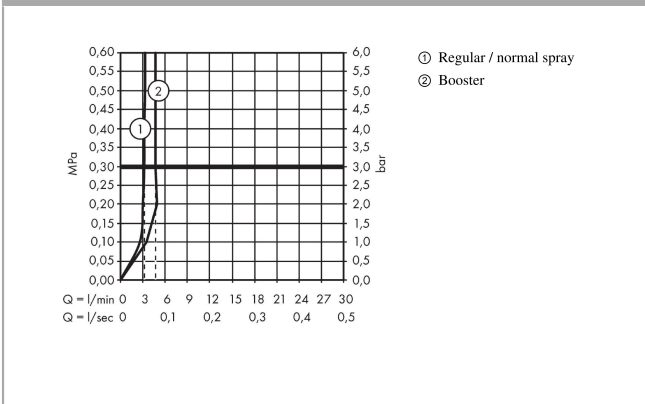
## Product image



## Scale drawing



## Flowchart

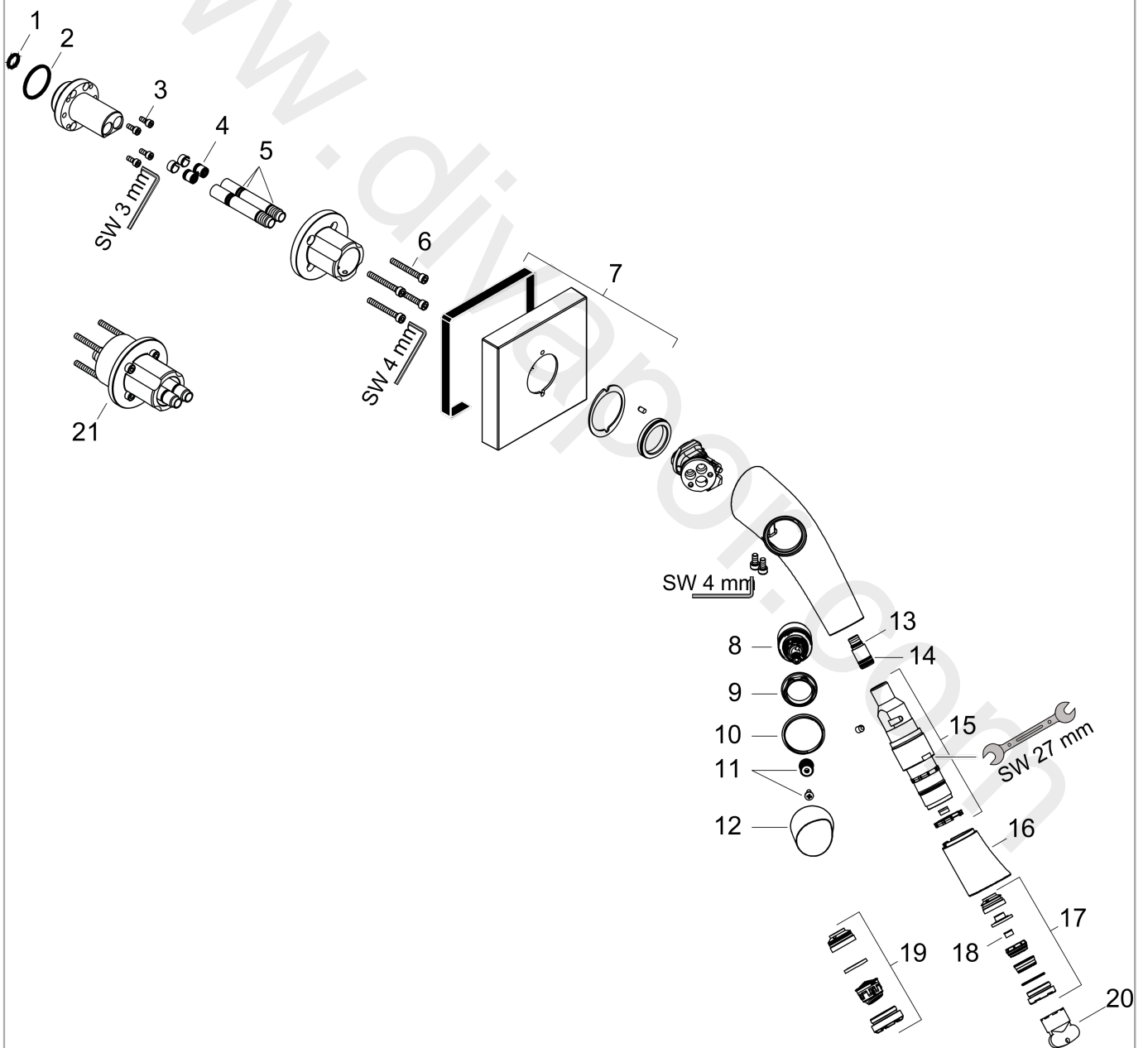


**AXOR Starck Organic**  
**2-handle basin mixer for concealed installation wall-mounted with spout 187 mm**  
 Finish: **Chrome** Article Number: **12015000**



## Exploded Drawing

Year of production: >11/12



**AXOR Starck Organic**  
**2-handle basin mixer for concealed installation wall-mounted with spout 187 mm**  
 Finish: **Chrome** Article Number: **12015000**



## Spare part list

Year of production: >11/12

Pos.		Article Number	Price	PU
1	O-ring 11x2	98127000	£ 3,30	1
2	O-Ring 30x2	98186000	£ 3,30	1
3	hexagon socket screw M4x10	97661000	£ 6,10	1
4	non return valve DW 10	96456000	£ 9,00	1
5	O-ring 9x1,5	98117000	£ 3,30	1
6	hexagon socket screw M5x40	97673000	£ 6,10	1
7	escutcheon	98357000	£ 110,00	1
8	cartridge, assy	98303000	£ 79,00	1
9	nut	98913000	£ 20,50	1
10	color-ring cold / hot water	98304000	£ 9,00	1
11	handle fixing set	98932000	£ 16,10	1
12	handle	98296000	£ 79,00	1
13	O-ring 8x1,75	97827000	£ 3,30	1
14	O-ring 11x2,5	98487000	£ 3,30	1
15	shut off cartridge	98301000	£ 173,00	1
16	spout cpl.	98297000	£ 110,00	1
17	spray former	98299000	£ 110,00	1
18	flow limiter (5 l/min)	95311000	£ 6,10	1
19	aerator M24x1 (7 l/min)	98300000	£ 51,00	1
20	special tool	95158000	£ 6,10	1
21	extension set 28 mm	12918000	£ 147,00	1
a	waste	50001000	£ 71,00	1
b	concealed item	10902180	£ 485,00	1