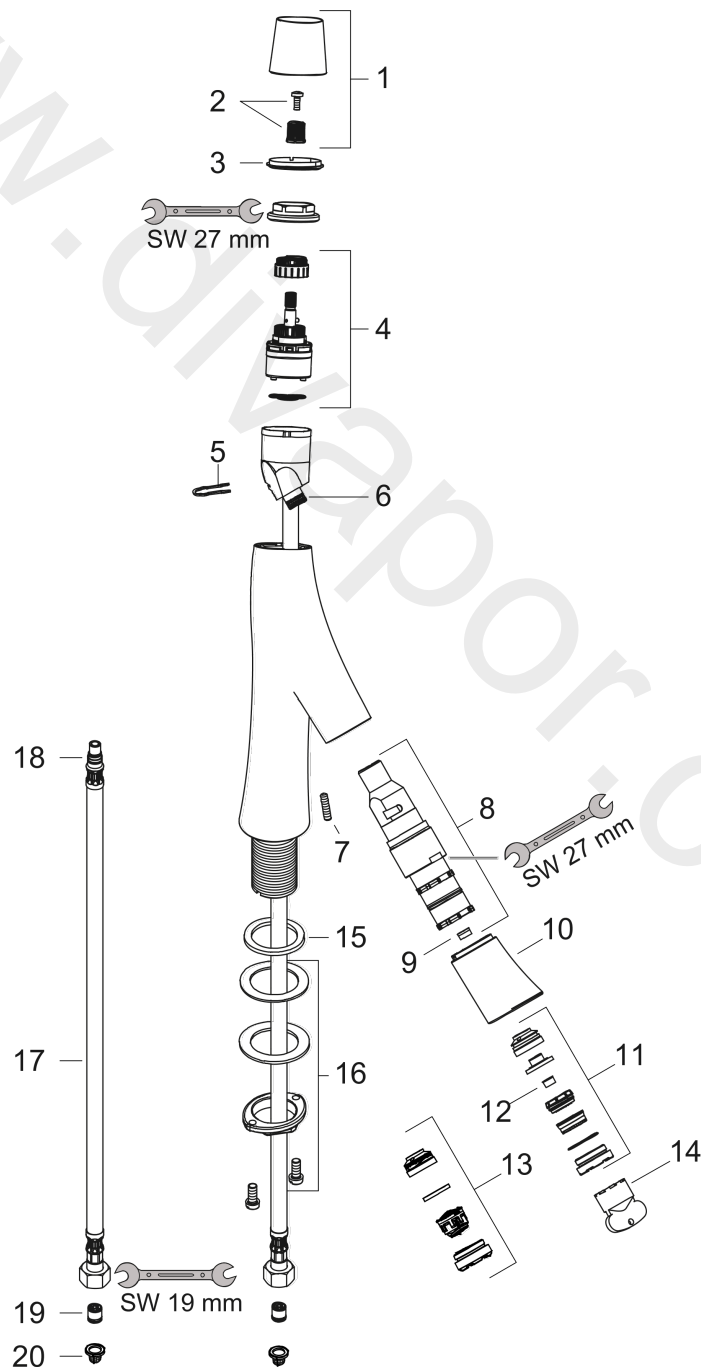


**AXOR Starck Organic**  
**2-handle basin mixer 80 with waste set**  
 Surfaces: Article Number: **12011130**



## Exploded Drawing

Year of production: **11/16 - 12/19**



**AXOR Starck Organic**  
**2-handle basin mixer 80 with waste set**  
 Surfaces: Article Number: **12011130**



## Spare part list

Year of production: **11/16 - 12/19**

| Pos. |                                     | Article Number | Price    | PU |
|------|-------------------------------------|----------------|----------|----|
| 1    | handle                              | 98296130       | £ 118,50 | 1  |
| 2    | handle fixing set                   | 98932000       | £ 16,10  | 1  |
| 3    | color-ring cold / hot water         | 98304000       | £ 9,00   | 1  |
| 4    | cartridge, assy                     | 98303000       | £ 79,00  | 1  |
| 5    | cramp                               | 98403000       | £ 9,00   | 1  |
| 6    | O-ring 11x1,5                       | 98385000       | £ 3,30   | 1  |
| 7    | hollow set screw M5x16              | 98404000       | £ 3,30   | 1  |
| 8    | shut off cartridge                  | 98301000       | £ 173,00 | 1  |
| 9    | flow limiter (3,5 l/min)            | 98405000       | £ 9,00   | 1  |
| 10   | spout cpl.                          | 98297130       | £ 165,00 | 1  |
| 11   | spray former                        | 98299130       | £ 163,00 | 1  |
| 12   | flow limiter (5 l/min)              | 95311000       | £ 6,10   | 1  |
| 13   | aerator M24x1 (7 l/min)             | 98300130       | £ 76,50  | 1  |
| 14   | special tool                        | 95158000       | £ 6,10   | 1  |
| 15   | flat seal                           | 98749000       | £ 6,10   | 1  |
| 16   | fixing set (Ø 32)                   | 13961000       | £ 25,00  | 1  |
| 17   | connection hose 600 mm M8x0,75 G3/8 | 95664000       | £ 35,00  | 1  |
| 18   | O-ring 7x1,5                        | 98422000       | £ 3,30   | 1  |
| 19   | non return valve DW 10              | 96456000       | £ 9,00   | 1  |
| 20   | filter packing                      | 95291000       | £ 13,30  | 1  |
| a    | waste                               | 50001000       | £ 71,00  | 1  |
| b    | fixation extension 35 mm            | 13898000       | £ 79,00  | 1  |