

AXOR Starck Organic
2-handle basin mixer 80 with pop-up waste set
 Finish: **Brushed Gold Optic** Article Number: **12010250**



product features

- consists of: 2-handle basin mixer, waste set
- ComfortZone 80
- projection: 116 mm
- spout height: 83 mm
- handle variant: cylinder handle
- spray type: shower spray
- maximum flow rate at 3 bar: 3,5 l/min
- flow rate booster: 5 l/min
- ceramic cartridge for temperature control
- ceramic valve for volume control
- temperature limitation adjustable
- separation of temperature and volume control
- with isolated water conduction - without contact with nickel and lead
- suitable for continuous flow water heaters
- pop-up waste set G 1¼
- connection type: G ¾ connections
- connection dimension: DN15
- EU taxonomy: max. 6 l/min - Substantial Contribution (SC)
- WRAS 1909051

Article Details

Price excl. VAT 768,80 £

Technology



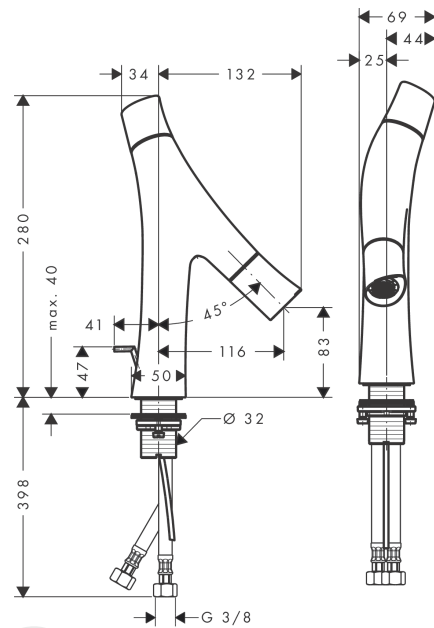
AXOR Starck Organic
2-handle basin mixer 80 with pop-up waste set
 Finish: **Brushed Gold Optic** Article Number: **12010250**



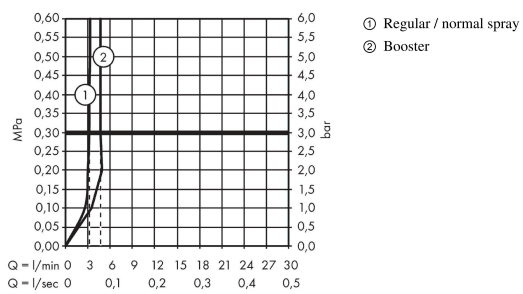
Product image



Scale drawing



Flowchart



AXOR Starck Organic
2-handle basin mixer 80 with pop-up waste set
 Finish: **Brushed Gold Optic** Article Number: **12010250**



Exploded Drawing

Year of production: >11/16



AXOR Starck Organic
2-handle basin mixer 80 with pop-up waste set
 Finish: **Brushed Gold Optic** Article Number: **12010250**



Spare part list

Year of production: >11/16

| Pos. | | Article Number | Price | PU |
|------|-------------------------------------|----------------|----------|----|
| 1 | handle | 98296250 | £ 118,50 | 1 |
| 2 | handle fixing set | 98932000 | £ 16,10 | 1 |
| 3 | color-ring cold / hot water | 98304000 | £ 9,00 | 1 |
| 4 | cartridge, assy | 98303000 | £ 79,00 | 1 |
| 5 | cramp | 98403000 | £ 9,00 | 1 |
| 6 | O-ring 11x1,5 | 98385000 | £ 3,30 | 1 |
| 7 | hollow set screw M5x16 | 98404000 | £ 3,30 | 1 |
| 8 | shut off cartridge | 98301000 | £ 173,00 | 1 |
| 9 | flow limiter (3,5 l/min) | 98405000 | £ 9,00 | 1 |
| 10 | spout cpl. | 98297250 | £ 163,00 | 1 |
| 11 | spray former | 98299990 | £ 163,00 | 1 |
| 12 | flow limiter (5 l/min) | 95311000 | £ 6,10 | 1 |
| 13 | aerator M24x1 (7 l/min) | 98300990 | £ 76,00 | 1 |
| 14 | special tool | 95158000 | £ 6,10 | 1 |
| 15 | flat seal | 98749000 | £ 6,10 | 1 |
| 16 | fixing set (Ø 32) | 13961000 | £ 25,00 | 1 |
| 17 | pull rod | 96923250 | £ 52,50 | 1 |
| 18 | connection hose 600 mm M8x0,75 G3/8 | 95664000 | £ 35,00 | 1 |
| 19 | O-ring 7x1,5 | 98422000 | £ 3,30 | 1 |
| 20 | non return valve DW 10 | 96456000 | £ 9,00 | 1 |
| 21 | filter packing | 95291000 | £ 13,30 | 1 |
| a | pop up waste | 94139250 | £ 144,00 | 1 |
| b | fixation extension 35 mm | 13898000 | £ 79,00 | 1 |