

**AXOR Starck Organic**  
**2-handle basin mixer 240 for wash bowls with waste set 2 ticks**  
 Finish: **Chrome** Article Number: **12003009**



### product features

- consists of: 2-handle basin mixer, waste set
- ComfortZone 240
- projection: 124 mm
- spout height: 241 mm
- handle variant: cylinder handle
- spray type: shower spray
- ceramic cartridge for temperature control
- ceramic valve for volume control
- temperature limitation adjustable
- separation of temperature and volume control
- with isolated water conduction - without contact with nickel and lead
- suitable for continuous flow water heaters
- non-closing waste set
- connection type: G 3/8 connections
- connection dimension: DN15

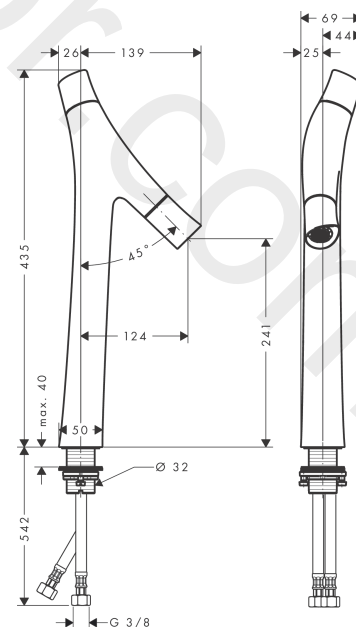
### Technology



### Product image



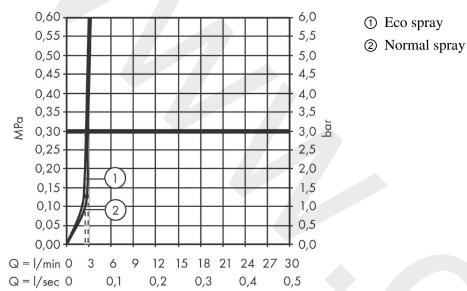
### Scale drawing



**AXOR Starck Organic**  
**2-handle basin mixer 240 for wash bowls with waste set 2 ticks**  
Finish: **Chrome** Article Number: **12003009**



## Flowchart

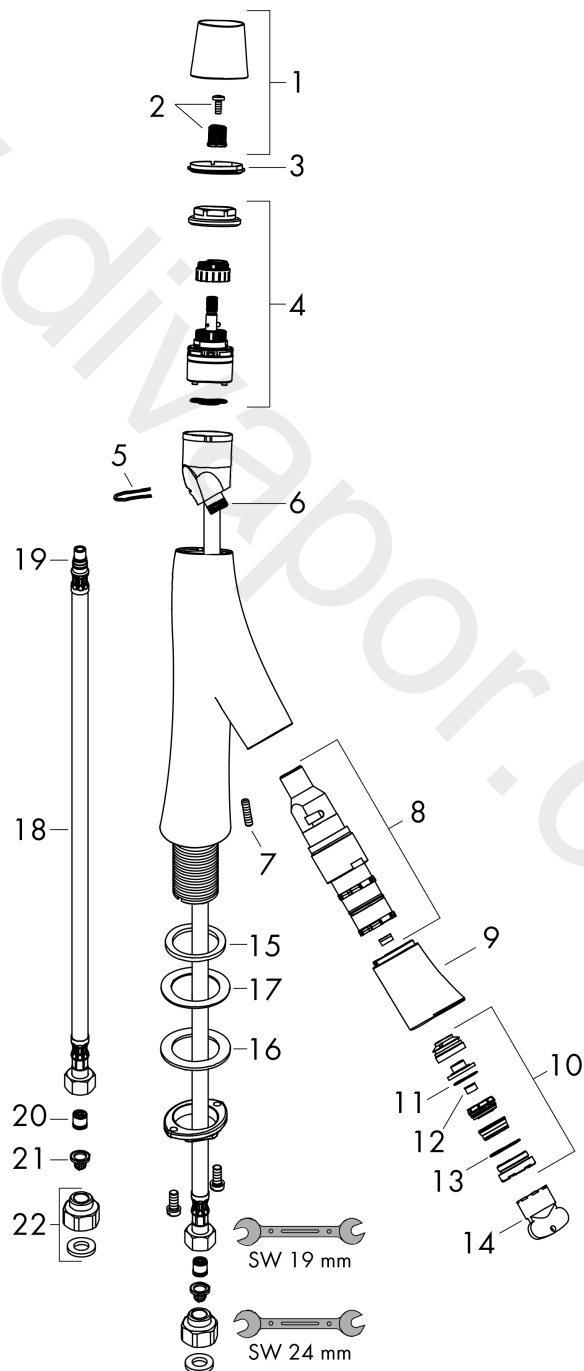


**AXOR Starck Organic**  
**2-handle basin mixer 240 for wash bowls with waste set 2 ticks**  
 Finish: **Chrome** Article Number: **12003009**



## Exploded Drawing

Year of production: >04/20



**AXOR Starck Organic**  
**2-handle basin mixer 240 for wash bowls with waste set 2 ticks**  
 Finish: **Chrome** Article Number: **12003009**



## Spare part list

Year of production: >04/20

Pos.		Article Number	Price	PU
1	handle	98296000	£ 79,00	1
2	handle fixing set	98932000	£ 16,10	1
3	color-ring cold / hot water	98304000	£ 9,00	1
4	cartridge, assy	98303000	£ 79,00	1
5	cramp	98403000	£ 9,00	1
6	O-ring 11x1,5	98385000	£ 3,30	1
7	hollow set screw M5x16	98404000	£ 3,30	1
8	shut off cartridge	98301000	£ 173,00	1
9	spout cpl.	98297000	£ 110,00	1
10	spray former	98299009	£ 110,00	1
11	O-ring 16x1,25	92185000	£ 3,30	1
12	flow limiter (4 l/min)	92560000	-	1
13	O-ring 22x1,2	98397000	-	1
14	special tool	95158000	£ 6,10	1
15	flat seal	98749000	£ 6,10	1
16	fixing set (Ø 32)	13961000	£ 25,00	1
17	lever collar	97548000	£ 3,30	1
18	connection hose 900 mm M8x0,75 G3/8	95372000	£ 35,00	1
19	O-ring 7x1,5	98422000	£ 3,30	1
20	non return valve DW 10	96456000	£ 9,00	1
21	filter packing	95291000	£ 13,30	1
22	set of adapters	93395000	£ 25,00	1
a	waste	50001000	£ 71,00	1
b	aerator M24x1 (7 l/min)	98300000	£ 51,00	1
c	fixation extension 35 mm	13898000	£ 79,00	1