

**AXOR Urquiola**  
**Thermostat for concealed installation**  
 Finish: **Chrome** Article Number: **11730000**



### product features

- thermostat cartridge
- maximum flow rate at 3 bar: 43 l/min
- min. operating pressure: 1 bar
- max. operating pressure: 10 bar
- safety stop at 40 °C
- temperature limitation adjustable
- non-return valve
- with silencer
- connection type: basic set
- WRAS 1907028

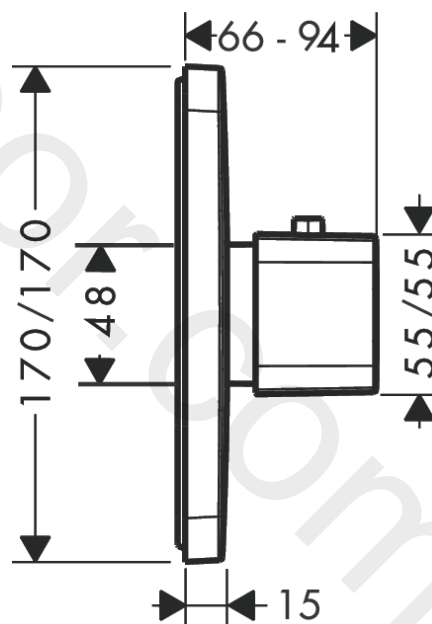
### Article Details

Price excl. VAT 666,67 £

### Product image



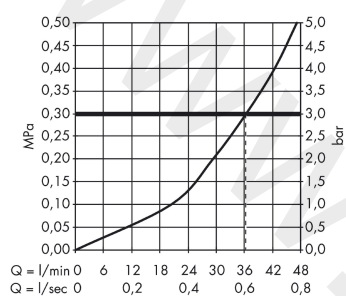
### Scale drawing



**AXOR Urquiola**  
**Thermostat for concealed installation**  
Finish: **Chrome** Article Number: **11730000**



## Flowchart

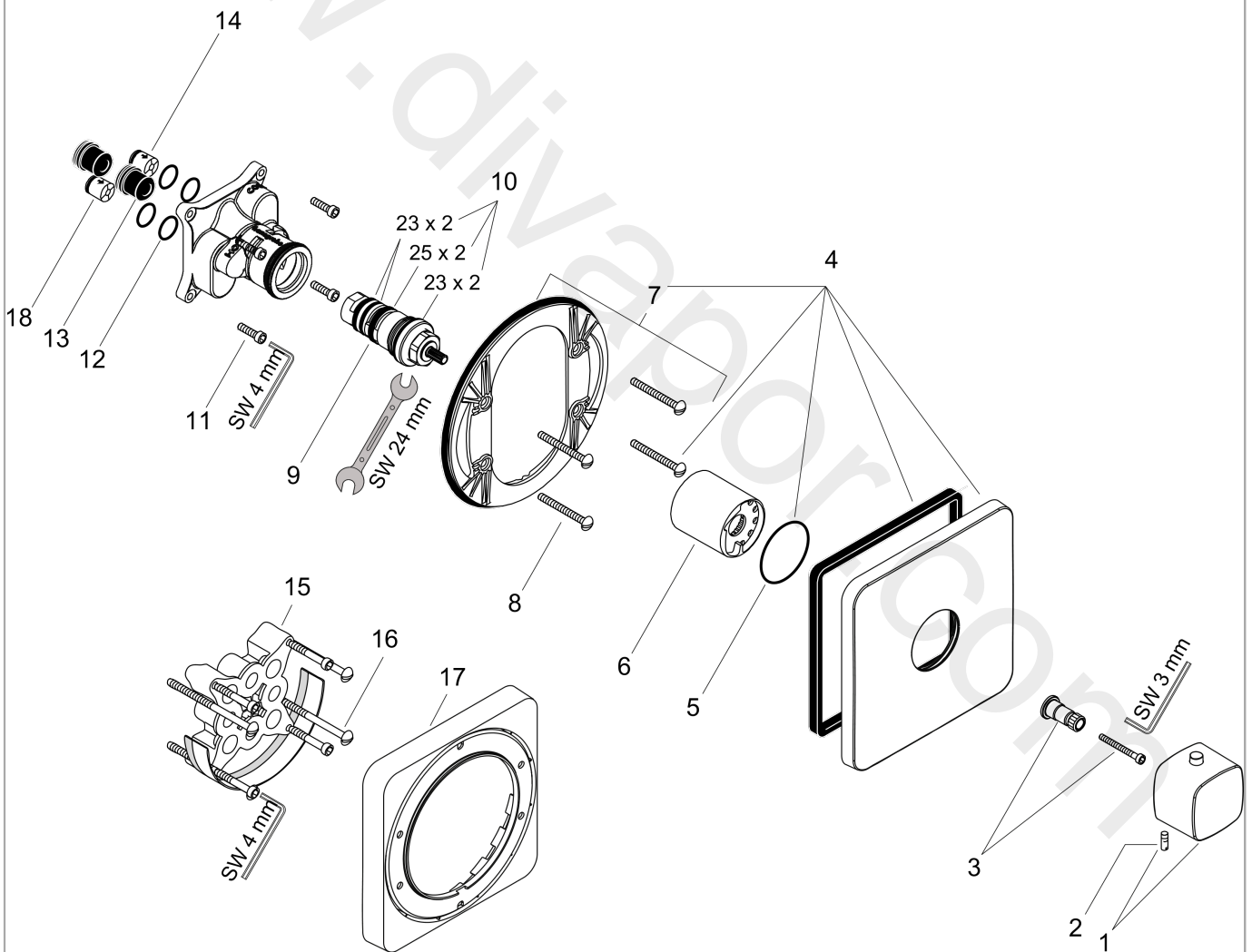


**AXOR Urquiola**  
**Thermostat for concealed installation**  
 Finish: **Chrome** Article Number: **11730000**



## Exploded Drawing

Year of production: >04/09



**AXOR Urquiola**  
**Thermostat for concealed installation**  
 Finish: **Chrome** Article Number: **11730000**



## Spare part list

Year of production: >04/09

| Pos. |   | Article Number | Price    | PU |
|------|---|----------------|----------|----|
| 1    | handle for thermostat                             | 11791000       | £ 275,00 | 1  |
| 2    | hollow set screw M5x16                            | 97666000       | £ 3,30   | 1  |
| 3    | adapter for handle                                | 96435000       | £ 20,50  | 1  |
| 4    | escutcheon  | 95173000       | £ 96,00  | 1  |
| 5    | O-Ring 48x3                                       | 95508000       | £ 3,30   | 1  |
| 6    | sleeve  | 96439000       | £ 43,00  | 1  |
| 7    | holder for escutcheon                             | 98793000       | £ 43,00  | 1  |
| 8    | set of fixing screws                              | 96454000       | £ 9,00   | 1  |
| 9    | thermostat cartridge                              | 94282000       | £ 137,00 | 1  |
| 10   | sealing set                                       | 95037000       | £ 51,00  | 1  |
| 11   | set of screws                                     | 96525000       | £ 9,00   | 1  |
| 12   | O-ring 16x2                                       | 98133000       | £ 3,30   | 1  |
| 13   | noise reduction                                   | 94073000       | £ 25,00  | 1  |
| 14   | set of non return valves DW 15                    | 94074000       | £ 16,10  | 1  |
| 15   | extension 25 mm                                   | 13595000       | £ 75,00  | 1  |
| 16   | set of fixing screws                              | 97747000       | £ 3,30   | 1  |
| 17   | extension 22 mm                                   | 98860000       | £ 84,00  | 1  |
| 18   | non return valve (pressure-resistant up to 2 MPa) | 92594000       | £ 16,10  | 1  |
| a    | concealed item                                    | 01800180       | £ 163,00 | 1  |
| b    | adapter for exchanged connections                 | 93181000       | £ 275,00 | 1  |
| c    | non return valve with filter                      | 92499000       | £ 16,10  | 1  |