

AXOR Urquiola
Single lever shower mixer for exposed installation
 Finish: **Chrome** Article Number: **11620000**



product features

- 1 function
- centre distance: 150 ± 16 mm
- maximum flow rate at 3 bar: 28 l/min
- ceramic cartridge
- temperature limitation adjustable
- non-return valve
- with silencer
- suitable for continuous flow water heaters
- hose connection DN15
- connection dimension: DN15
- min. operating pressure: 1 bar
- max. operating pressure: 10 bar
- connection type: s-shaped connections

Article Details

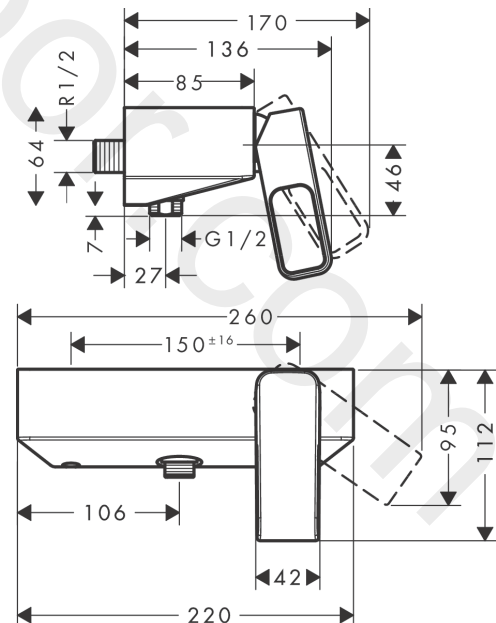
Price excl. VAT

1.108,33 £

Product image



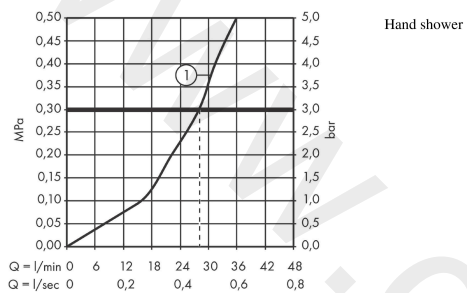
Scale drawing



AXOR Urquiola
Single lever shower mixer for exposed installation
Finish: **Chrome** Article Number: **11620000**



Flowchart



AXOR Urquiola
Single lever shower mixer for exposed installation
 Finish: **Chrome** Article Number: **11620000**



Spare part list

Year of production: >04/09

Pos.		Article Number	Price	PU
1	handle	11493000	£ 224,00	1
2	flange	96763000	£ 9,00	1
3	nut	97209000	£ 16,10	1
4	O-ring 33x2	98154000	£ 3,30	1
5	cartridge, assy	92730000	£ 35,00	1
6	locking screw for handle	95140000	£ 6,10	1
7	seal	95008000	£ 9,00	1
8	connecting thread	95367000	£ 25,00	1
9	set of non return valves DW 15	94074000	£ 16,10	1
10	O-ring 15x1,5	92118000	£ 3,30	1
11	noise reduction	94073000	£ 25,00	1
12	connecting thread	97236000	£ 13,30	1
13	O-Ring 13x3	98184000	£ 3,30	1
14	O-ring 17x1,5	98137000	£ 3,30	1
15	set of S-unions	94136000	£ 64,00	1
16	seal	97530000	£ 6,10	1
17	hexagon socket screw M6x10	92847000	£ 3,30	1
18	plug	92859000	£ 20,50	1