

AXOR Urquiola
3-hole rim mounted bath mixer
 Finish: **Chrome** Article Number: **11436000**



product features

- 1 function
- projection: 198 mm
- spray type mixer: normal spray
- maximum flow rate at 3 bar: 25 l/min
- ceramic valves hot/cold 90°
- connection dimension: DN15
- connection type: basic set
- min. operating pressure: 1 bar
- max. operating pressure: 10 bar

Article Details

Price excl. VAT 1.275,00 £

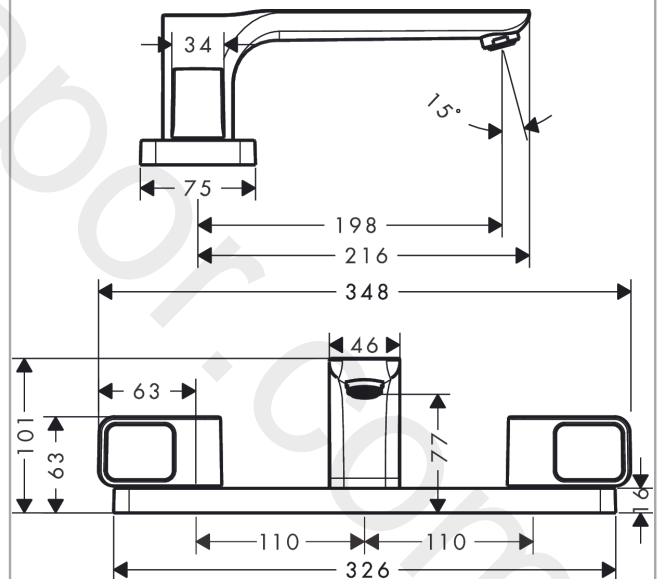
Technology



Product image



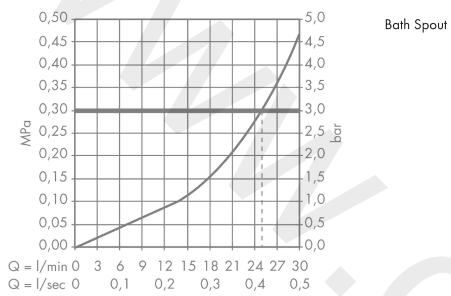
Scale drawing



AXOR Urquiola
3-hole rim mounted bath mixer
Finish: **Chrome** Article Number: **11436000**



Flowchart

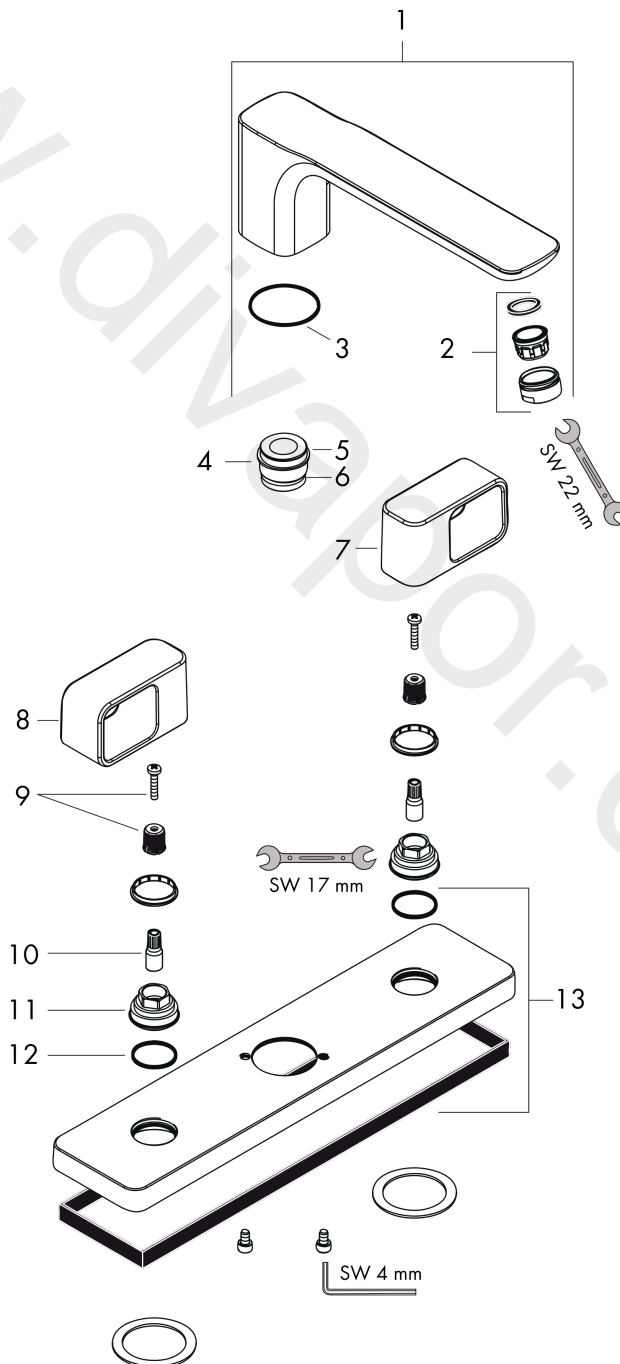


AXOR Urquiola
3-hole rim mounted bath mixer
Finish: **Chrome** Article Number: **11436000**



Exploded Drawing

Year of production: >04/10



AXOR Urquiola
3-hole rim mounted bath mixer
 Finish: **Chrome** Article Number: **11436000**



Spare part list

Year of production: >04/10

Pos.		Article Number	Price	PU
1	spout cpl.	95613000	£ 445,00	1
2	aerator M24x1 (30 l/min)	96512000	£ 16,10	1
3	O-ring 39x1,5	98400000	£ 3,30	1
4	adapter for spout	88512000	£ 16,10	1
5	O-Ring 23x2,5	98183000	£ 3,30	1
6	O-ring 21x2,5	98211000	£ 3,30	1
7	handle for cold water	11498000	£ 173,00	1
8	handle for hot water	11497000	£ 173,00	1
9	handle fixing set	98932000	£ 16,10	1
10	adapter for handle	95615000	£ 25,00	1
11	nut	95610000	£ 35,00	1
12	O-ring 24x1,5	98434000	£ 3,30	1
13	escutcheon	95619000	£ 370,00	1
a	concealed item	13233180	£ 285,00	1
b	concealed item	15484180	£ 285,00	1