

AXOR Urquiola Bath spout

Finish: **Chrome** Article Number: **11430000**



product features

- 1 function
- maximum flow rate at 3 bar: 21 l/min
- connection dimension: DN20
- spray type: normal spray
- WRAS 2010701
- WRAS 2010701 - WRAS Approval Letter

Article Details

Price excl. VAT

441,67 £

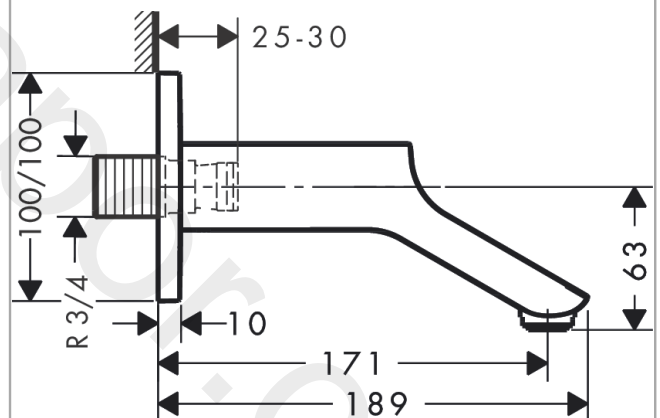
Technology



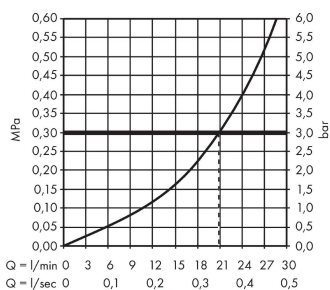
Product image



Scale drawing



Flowchart



The consumption was measured in combination with the appropriate fittings (thermostat/mixer/ in-wall valve) to reflect actual application in practice.

AXOR Urquiola

Bath spout

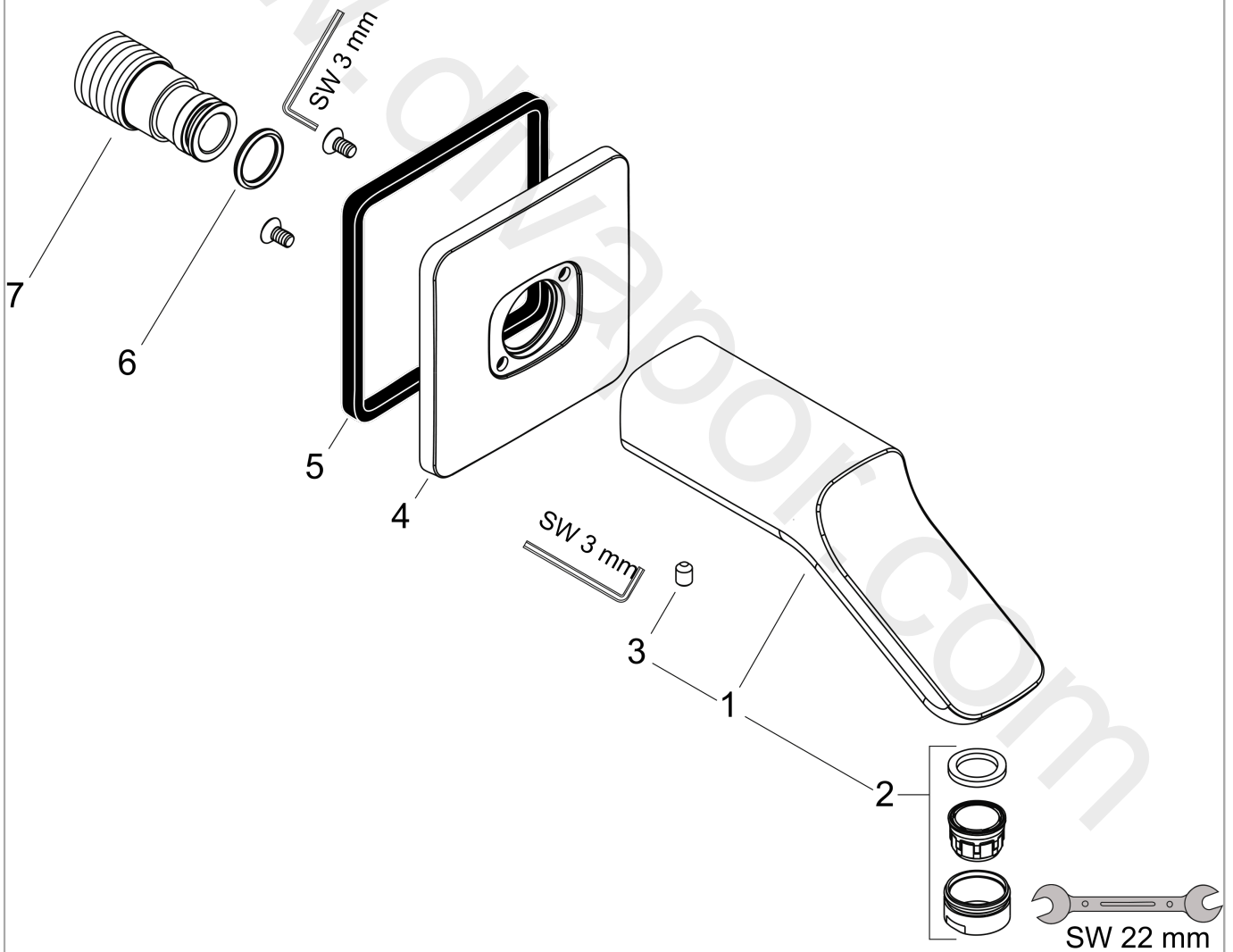
Finish: **Chrome**

Article Number: **11430000**



Exploded Drawing

Year of production: >04/09



**AXOR Urquiola
Bath spout**

Finish: **Chrome** Article Number: **11430000**



Spare part list

Year of production: >04/09

Pos.		Article Number	Price	PU
1	spout 165 mm	95196000	£ 370,00	1
2	aerator M24x1 (25 l/min)	13956000	£ 9,00	1
3	hollow set screw M6x10 DIN 916	96029000	£ 3,30	1
4	escutcheon	95496000	£ 51,00	1
5	seal	97737000	£ 9,00	1
6	O-ring 16x2,5	98134000	£ 3,30	1
7	connecting thread G $\frac{3}{4}$	96472000	£ 20,50	1
a	connecting thread G $\frac{1}{2}$	97228000	£ 51,00	1