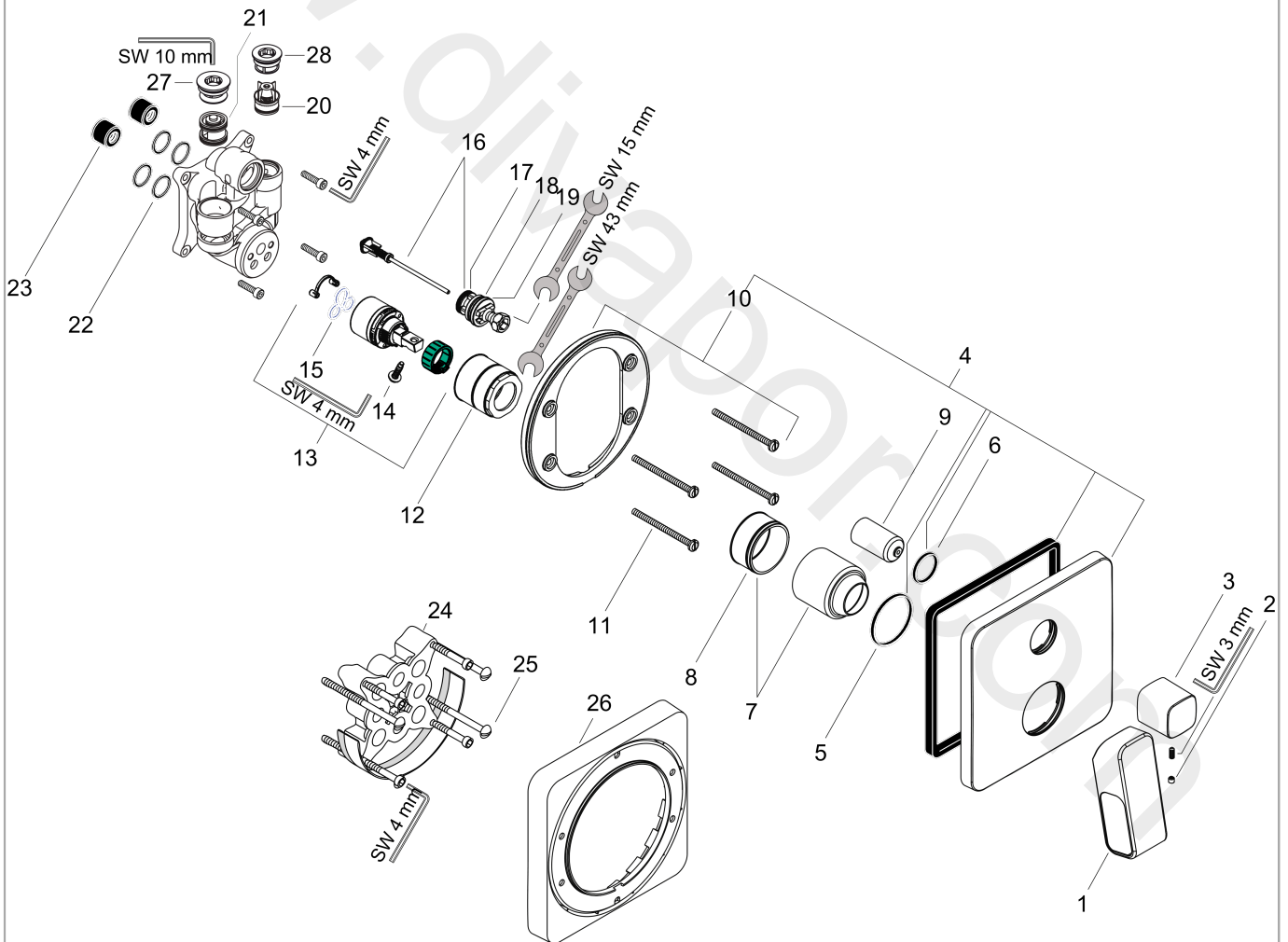


AXOR Urquiola
Single lever bath mixer for concealed installation with integrated security combination
according to EN1717
 Surfaces: Article Number: **11426000**



Exploded Drawing

Year of production: **02/13 - 09/14**



AXOR Urquiola

Single lever bath mixer for concealed installation with integrated security combination according to EN1717

Surfaces: Article Number: **11426000**



Spare part list

Year of production: **02/13 - 09/14**

Pos.		Article Number	Price	PU
1	handle	11493000	£ 224,00	1
2	screw cover	95181000	£ 3,30	1
3	diverter knob	95190000	£ 25,00	1
4	escutcheon	95189000	£ 96,00	1
5	O-Ring 48x3	95508000	£ 3,30	1
6	O-ring 29x3	98371000	£ 6,10	1
7	flange	96348000	£ 13,30	1
8	O-ring 43x1,5	98148000	£ 3,30	1
9	sleeve	96448000	£ 43,00	1
10	holder for escutcheon	98793000	£ 43,00	1
11	set of fixing screws	96454000	£ 9,00	1
12	nut	95007000	£ 51,00	1
13	cartridge, assy	92730000	£ 35,00	1
14	locking screw for handle	95140000	£ 6,10	1
15	seal	95008000	£ 9,00	1
16	selector assy	95014000	£ 64,00	1
17	O-ring 16x2,3	98207000	£ 3,30	1
18	O-ring 20x2,5	92602000	£ 6,10	1
19	O-ring 21x2	98205000	£ 6,10	1
20	non return valve	96655000	£ 13,30	1
21	vacuum breaker	96753000	£ 16,10	1
22	O-ring 16x2	98133000	£ 3,30	1
23	noise reduction	94073000	£ 25,00	1
24	extension 25 mm	13595000	£ 75,00	1
25	set of fixing screws	97747000	£ 3,30	1
26	extension 22 mm	98860000	£ 84,00	1
27	O-Ring 22x2	98185000	£ 3,30	1
28	O-ring 19x2	98426000	£ 3,30	1
a	concealed item	01800180	£ 163,00	1