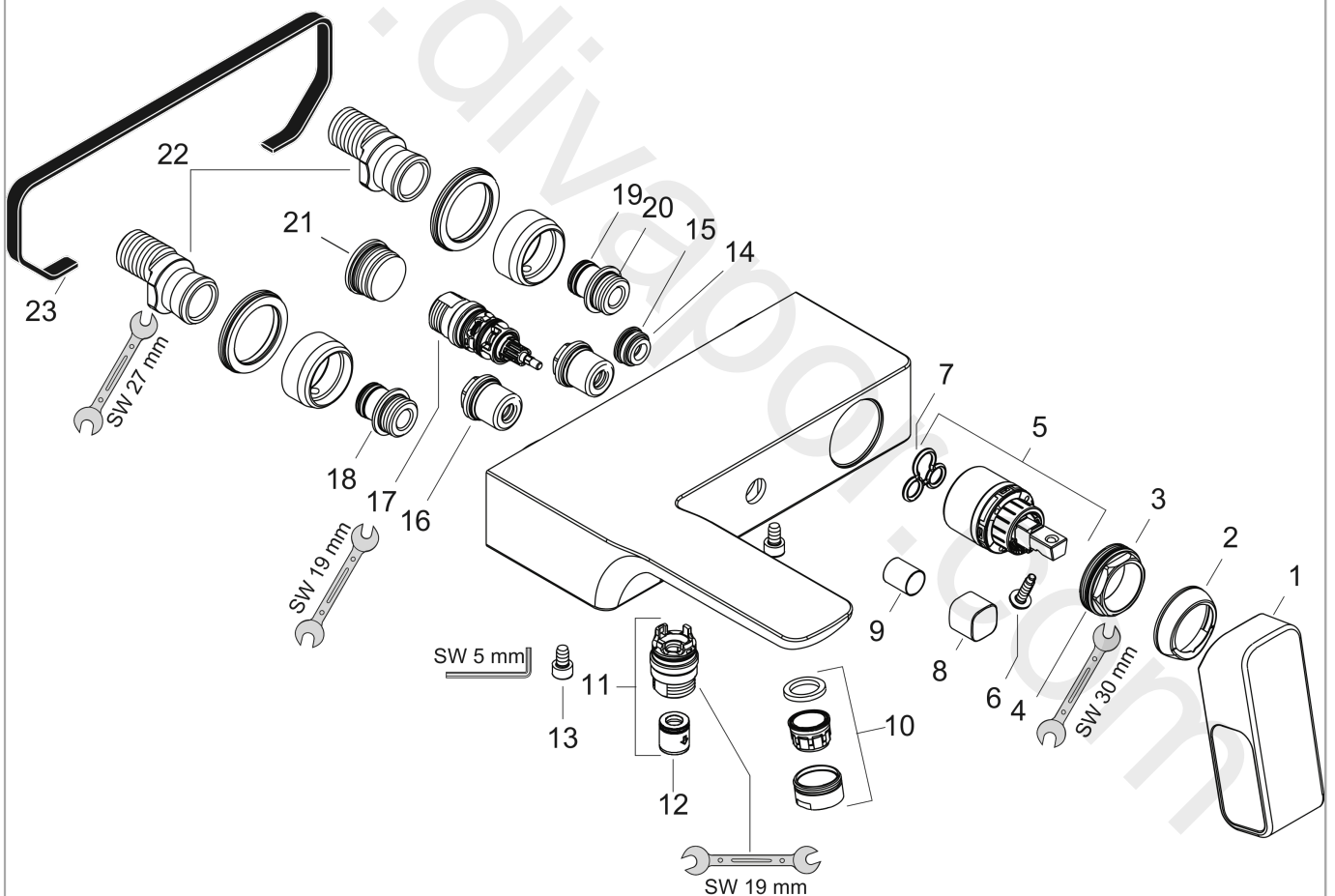


**AXOR Urquiola**  
**Single lever bath mixer for exposed installation**  
Surfaces: Article Number: **11420000**



## Exploded Drawing

Year of production: **04/09 - 04/20**



**AXOR Urquiola**  
**Single lever bath mixer for exposed installation**  
 Surfaces: Article Number: **11420000**



## Spare part list

Year of production: **04/09 - 04/20**

Pos.		Article Number	Price	PU
1	handle	11493000	£ 224,00	1
2	flange	96763000	£ 9,00	1
3	nut	97209000	£ 16,10	1
4	O-ring 33x2	98154000	£ 3,30	1
5	cartridge, assy	92730000	£ 35,00	1
6	locking screw for handle	95140000	£ 6,10	1
7	seal	95008000	£ 9,00	1
8	diverter knob	95444000	£ 51,00	1
9	sleeve	97738000	£ 6,10	1
10	aerator M24x1 (25 l/min)	13956000	£ 9,00	1
11	connecting thread	95367000	£ 25,00	1
12	set of non return valves DW 15	94074000	£ 16,10	1
13	hexagon socket screw M6x10	92847000	£ 3,30	1
14	plug	92859000	£ 20,50	1
15	O-ring 15x1,5	92118000	£ 3,30	1
16	noise reduction	94073000	£ 25,00	1
17	selector assy	94077000	£ 43,00	1
18	connecting thread	97236000	£ 13,30	1
19	O-Ring 13x3	98184000	£ 3,30	1
20	O-ring 17x1,5	98137000	£ 3,30	1
21	O-ring 23x2	98398000	£ 3,30	1
22	set of S-unions	94136000	£ 64,00	1
23	seal	97530000	£ 6,10	1
a	diverter fixing device	97211000	£ 3,30	1
b	O-ring 18x2	98181000	£ 6,10	1