

AXOR Carlton

Bath spout

Finish: **Chrome/Gold Optic** Article Number: **11410090**



product features

- 1 function
- projection: 143 mm
- maximum flow rate at 3 bar: 25 l/min
- connection dimension: device connection DN20
- spray type: normal spray

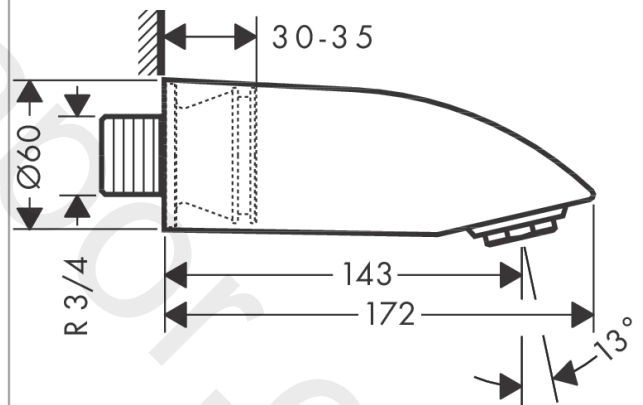
Technology



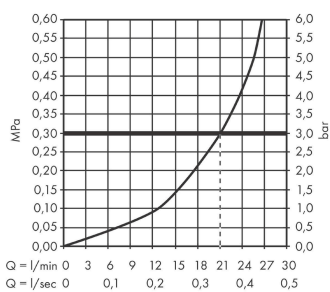
Product image



Scale drawing



Flowchart



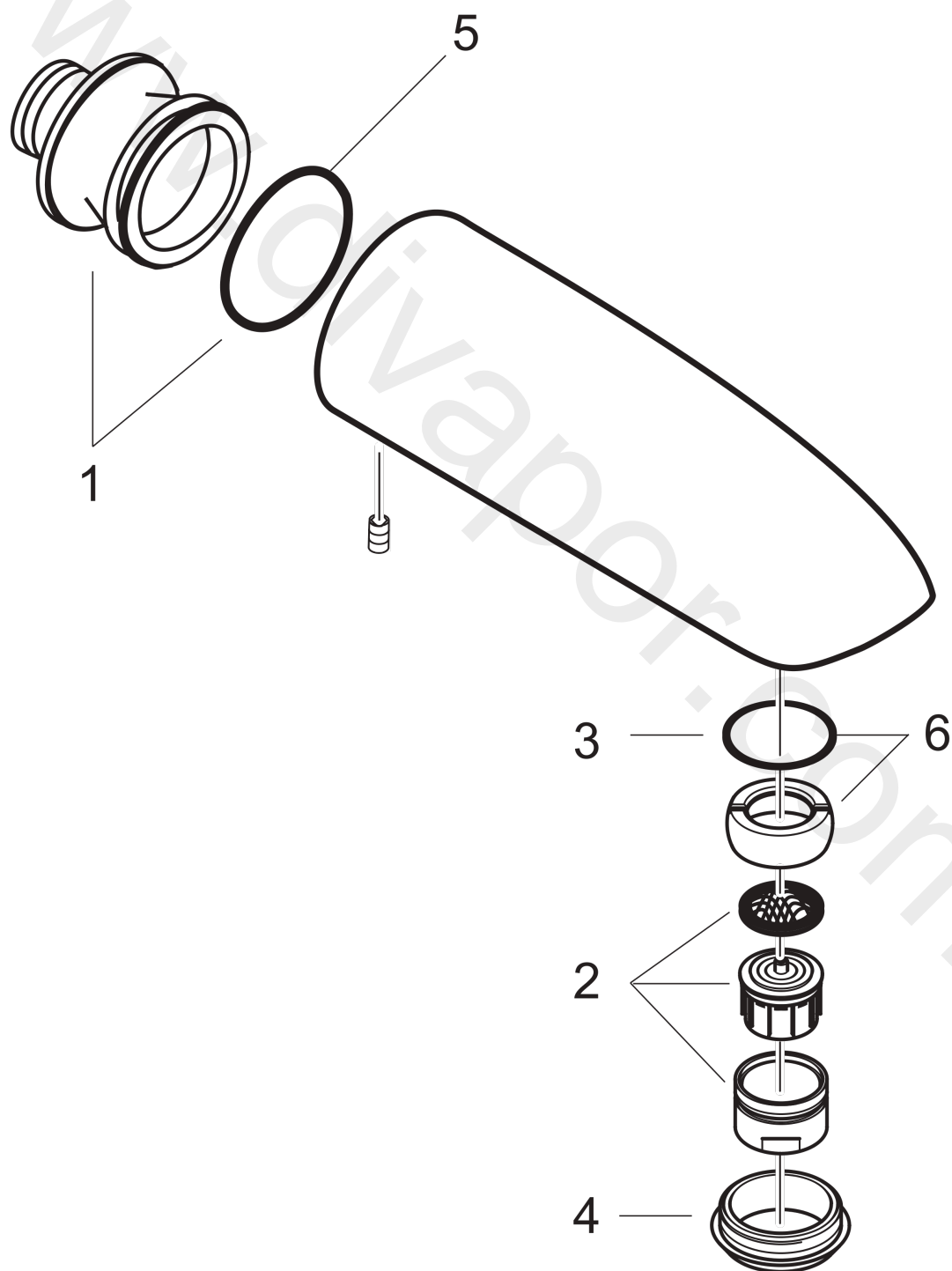
The consumption was measured in combination with the appropriate fittings (thermostat/mixer/in-wall valve) to reflect actual application in practice.

AXOR Carlton
Bath spout
Finish: **Chrome/Gold Optic** Article Number: **11410090**



Exploded Drawing

Year of production: >04/95



AXOR Carlton
Bath spout
 Finish: **Chrome/Gold Optic** Article Number: **11410090**



Spare part list

Year of production: >04/95

Pos.		Article Number	Price	PU
1	connecting thread	96455000	£ 43,00	1
2	aerator M28x1 (25 l/min)	13485000	£ 20,50	1
3	O-ring 32,5x2,2	94485000	£ 6,10	1
4	nut	96438000	£ 13,30	1
5	O-ring 39x3,5	98159000	£ 3,30	1
6	ball joint	97526000	£ 16,10	1