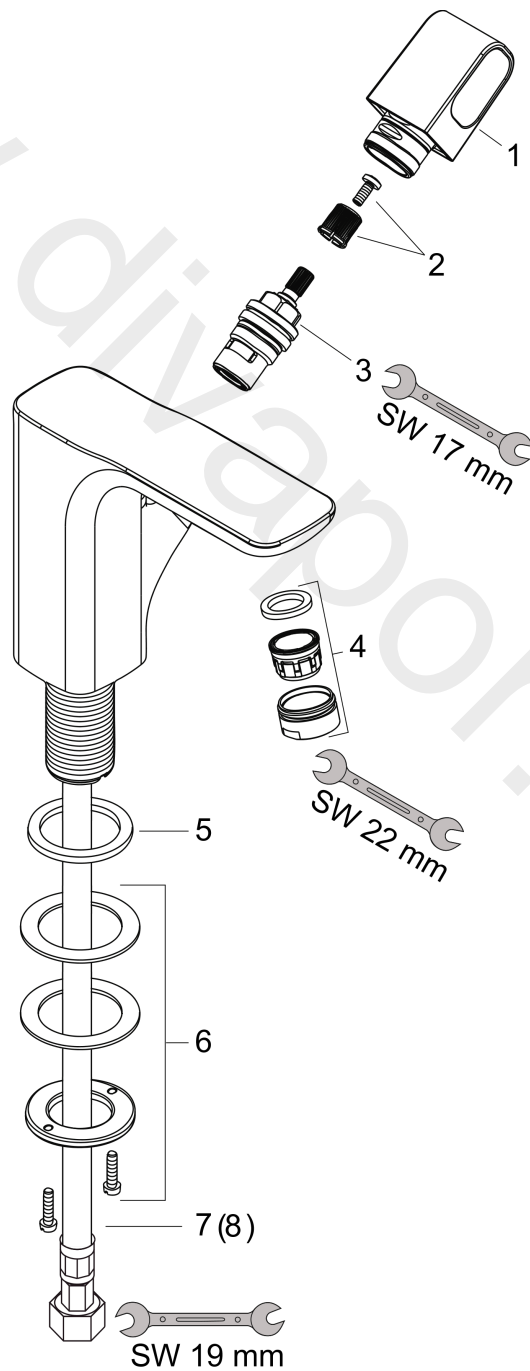


**AXOR Urquiola**  
**Pillar tap without waste set**  
Surfaces: Article Number: **11120000**



## Exploded Drawing

Year of production: **01/10 - 12/16**



**AXOR Urquiola**  
**Pillar tap without waste set**  
 Surfaces: Article Number: **11120000**



## Spare part list

Year of production: **01/10 - 12/16**

Pos.		Article Number	Price	PU
1	handle	95437000	£ 173,00	1
2	handle fixing set	98932000	£ 16,10	1
3	shut off unit right closing	94009000	£ 43,00	1
4	aerator M24x1 (5 l/min)	13185000	£ 22,30	1
5	flat seal	98749000	£ 6,10	1
6	fixing set for shut off unit	96078009	£ 35,00	1
7	connection hose 450 mm M8x0,75 G3/8	97206000	£ 35,00	1
8	O-ring 7x1,5	98422000	£ 3,30	1
a	aerator M24x1 (3,5 l/min)	92508000	£ 20,50	1
b	aerator M24x1 (4,5 l/min)	92877000	£ 20,50	1
c	aerator swivelling M24x1 (5 l/min)	95928000	£ 35,00	1