

## AXOR Urquiola

**3-hole basin mixer for concealed installation wall-mounted with spout 228 mm 3 ticks**

Finish: **Chrome** Article Number: **11051009**



### product features

- consists of: 3-hole basin mixer for concealed installation wall-mounted, waste set
- projection: 228 mm
- handle variant: flat handle
- maximum flow rate at 3 bar: 1,9 l/min
- ceramic valves hot/cold 90°
- non-closing waste set
- connection type: basic set
- connection dimension: DN15

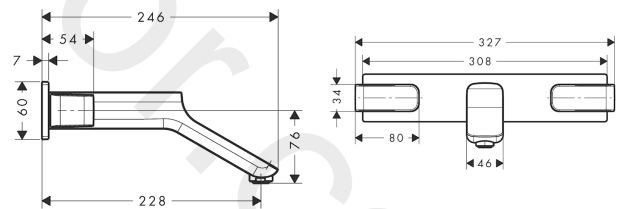
### Technology



### Product image



### Scale drawing



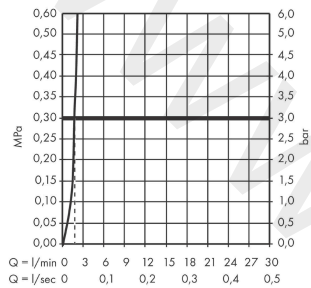
## AXOR Urquiola

3-hole basin mixer for concealed installation wall-mounted with spout 228 mm 3 ticks

Finish: **Chrome** Article Number: **11051009**



### Flowchart



## AXOR Urquiola

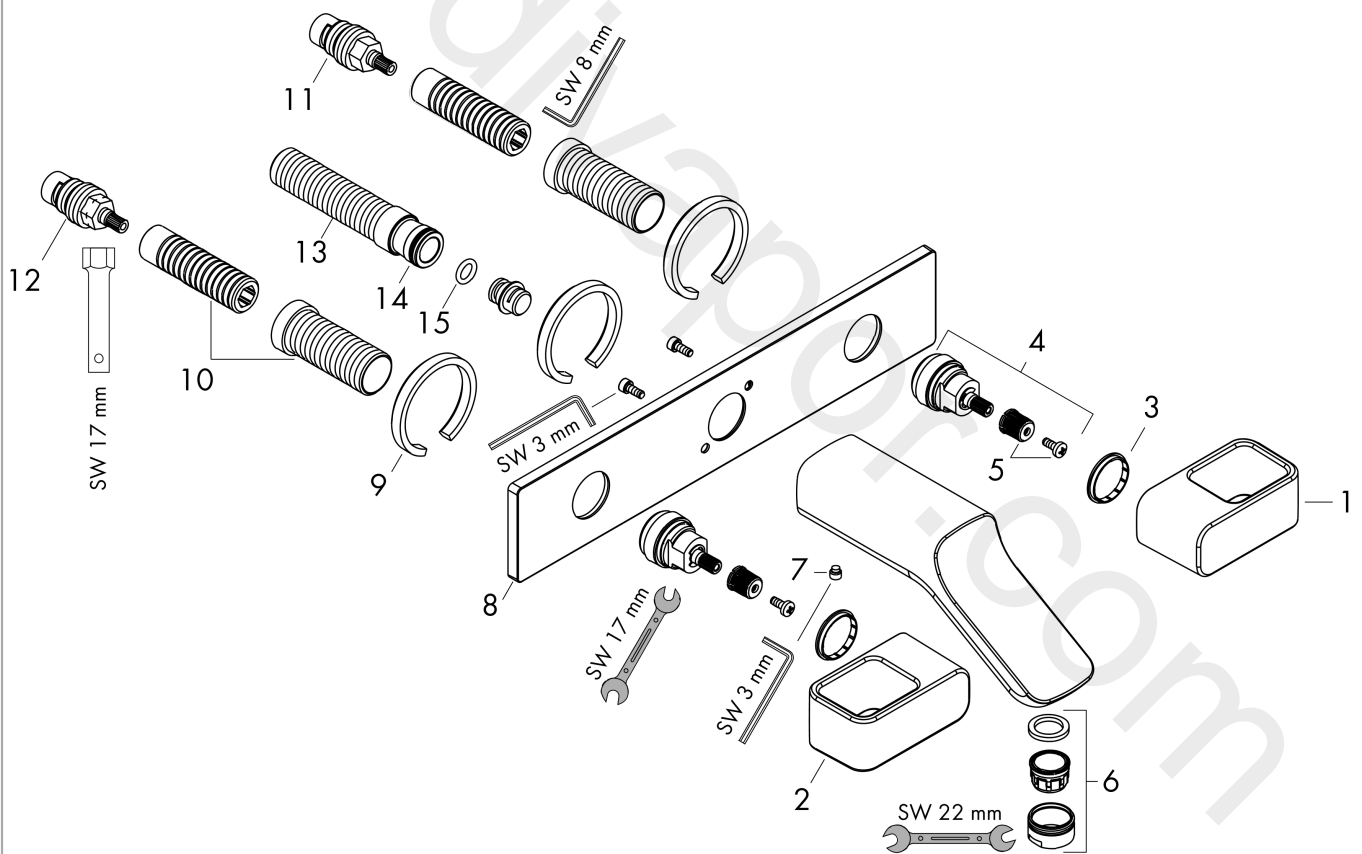
3-hole basin mixer for concealed installation wall-mounted with spout 228 mm 3 ticks

Finish: **Chrome** Article Number: **11051009**



### Exploded Drawing

Year of production: >04/20



## AXOR Urquiola

**3-hole basin mixer for concealed installation wall-mounted with spout 228 mm 3 ticks**

Finish: **Chrome** Article Number: **11051009**



### Spare part list

Year of production: >04/20

Pos.		Article Number	Price	PU
1	handle for cold water	11498000	£ 173,00	1
2	handle for hot water	11497000	£ 173,00	1
3	set of color-rings cold / hot water	92225000	£ 6,10	1
4	adapter for handle	95194000	£ 51,00	1
5	handle fixing set	98932000	£ 16,10	1
6	aerator M24x1 (1,9 l/min)	92300000	£ 35,00	1
7	hollow set screw M6x10 DIN 916	96029000	£ 3,30	1
8	escutcheon	95197000	£ 224,00	1
9	seal	97530000	£ 6,10	1
10	fixing set	96393000	£ 35,00	1
11	shut off unit right closing	94009000	£ 43,00	1
12	shut off unit left closing	94008000	£ 43,00	1
13	connecting thread G½	97228000	£ 51,00	1
14	O-ring 16x2,5	98134000	£ 3,30	1
15	O-ring 9x2,5	98217000	£ 3,30	1
a	waste	50001000	£ 71,00	1