

## AXOR Urquiola

**3-hole basin mixer for concealed installation wall-mounted with spout 168 mm**

Finish: **Chrome** Article Number: **11042007**



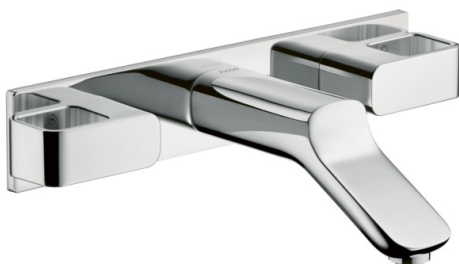
### product features

- projection: 168 mm
- handle variant: flat handle
- spray type: normal spray
- maximum flow rate at 3 bar: 5 l/min
- ceramic valves hot/cold 90°
- suitable for continuous flow water heaters
- non-closing waste set
- connection type: basic set
- connection dimension: DN15

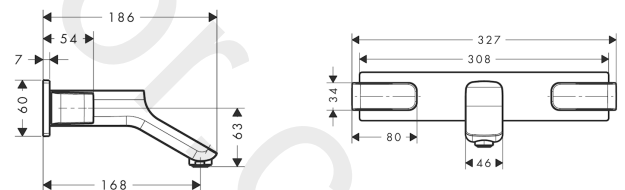
### Technology



### Product image



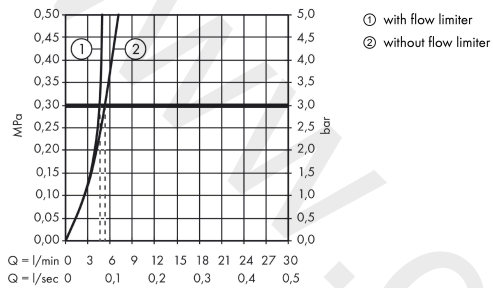
### Scale drawing



**AXOR Urquiola**  
**3-hole basin mixer for concealed installation wall-mounted with spout 168 mm**  
 Finish: **Chrome**    Article Number: **11042007**



## Flowchart

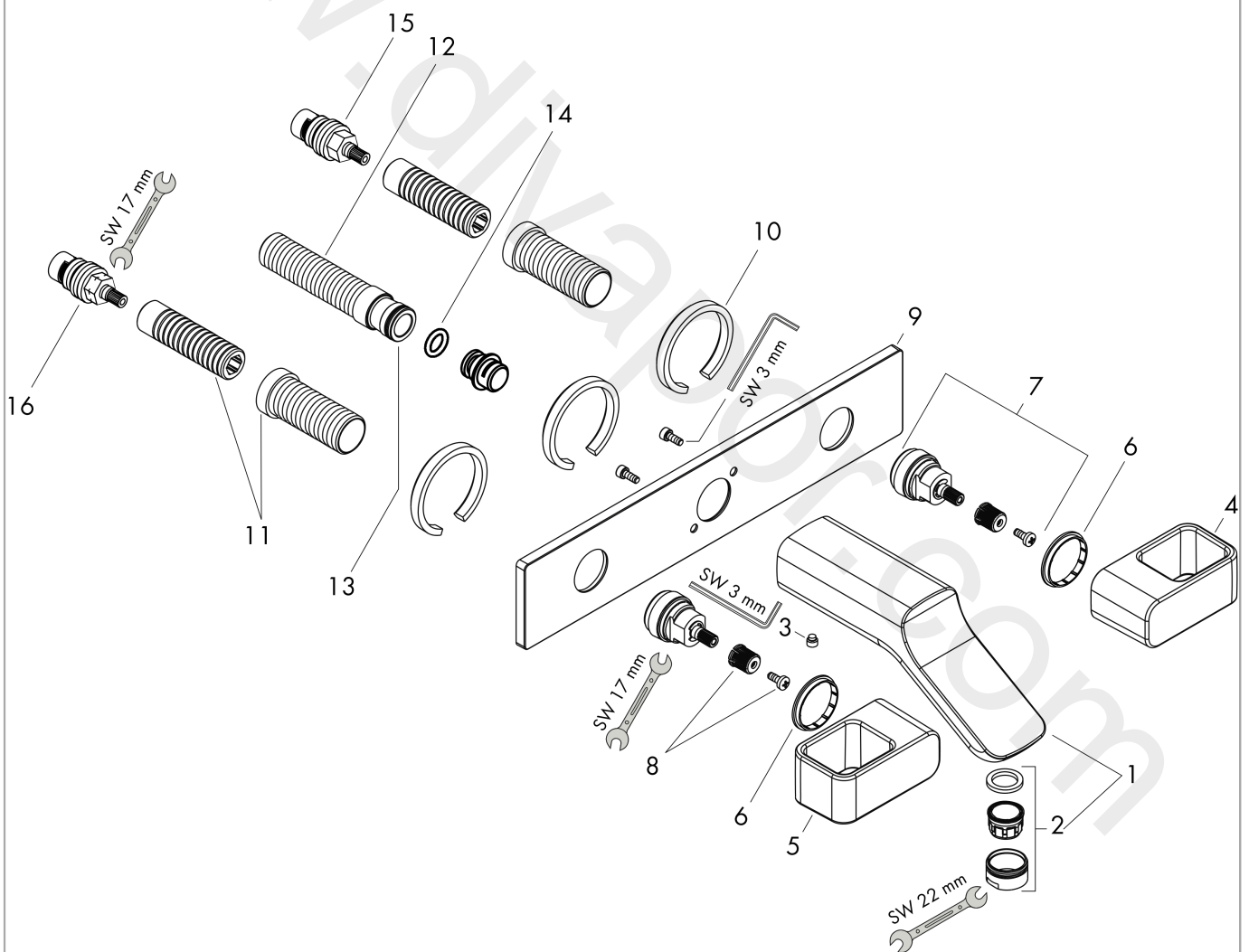


**AXOR Urquiola**  
**3-hole basin mixer for concealed installation wall-mounted with spout 168 mm**  
 Finish: **Chrome** Article Number: **11042007**



## Exploded Drawing

Year of production: >07/18



## AXOR Urquiola

**3-hole basin mixer for concealed installation wall-mounted with spout 168 mm**

Finish: **Chrome** Article Number: **11042007**



### Spare part list

Year of production: >07/18

Pos.		Article Number	Price	PU
1	spout 220 mm	95195000	£ 370,00	1
2	aerator M24x1 (5 l/min)	13185000	£ 22,30	1
3	hollow set screw M6x10 DIN 916	96029000	£ 3,30	1
4	handle for cold water	11498000	£ 173,00	1
5	handle for hot water	11497000	£ 173,00	1
6	set of color-rings cold / hot water	92225000	£ 6,10	1
7	adapter for handle	95194000	£ 51,00	1
8	handle fixing set	98932000	£ 16,10	1
9	escutcheon	95197000	£ 224,00	1
10	seal	97530000	£ 6,10	1
11	fixing set	96393000	£ 35,00	1
12	connecting thread G½	97228000	£ 51,00	1
13	O-ring 16x2,5	98134000	£ 3,30	1
14	O-ring 9x2,5	98217000	£ 3,30	1
15	shut off unit left closing	94008000	£ 43,00	1
16	shut off unit right closing	94009000	£ 43,00	1
a	base body	10303187	-	1
b	sealing foil	96383000	£ 46,00	1
c	waste	50001000	£ 71,00	1