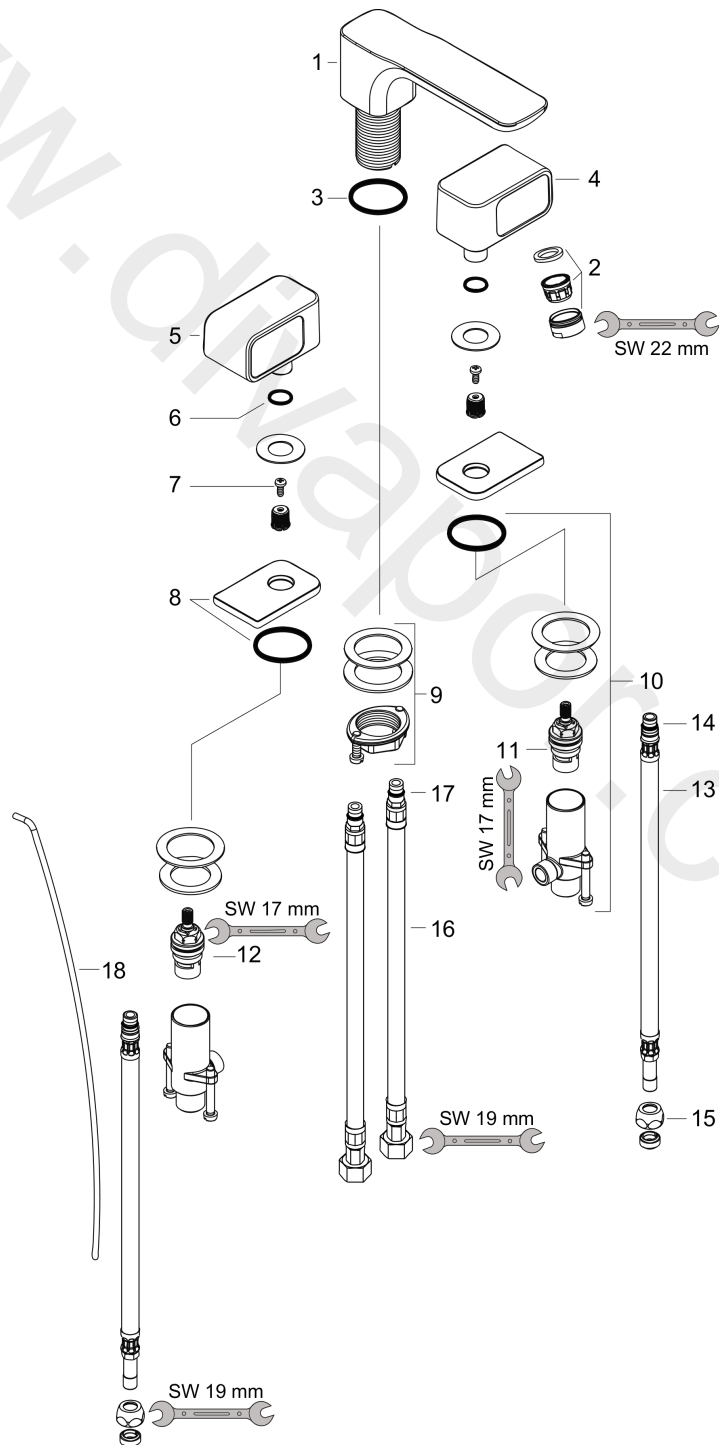


AXOR Urquiola
3-hole basin mixer 50 with escutcheons and pop-up waste set
Surfaces: Article Number: **11041000**



Exploded Drawing

Year of production: **01/10 - 12/10**



AXOR Urquiola

3-hole basin mixer 50 with escutcheons and pop-up waste set

Surfaces: Article Number: **11041000**



Spare part list

Year of production: **01/10 - 12/10**

Pos.		Article Number	Price	PU
1	spout cpl.	95303000	£ 370,00	1
2	aerator M24x1 (5 l/min)	13185000	£ 22,30	1
3	flat seal	98749000	£ 6,10	1
4	handle for cold water	95305000	£ 173,00	1
5	handle for hot water	95304000	£ 173,00	1
6	O-ring 13x2	98128000	£ 3,30	1
7	handle fixing set	98932000	£ 16,10	1
8	escutcheon	95307000	£ 35,00	1
9	fixing set (Ø 32)	13961000	£ 25,00	1
10	stop valve cpl.	97357000	£ 137,00	1
11	shut off unit left closing	94008000	£ 43,00	1
12	shut off unit right closing	94009000	£ 43,00	1
13	connection hose 450 mm M10x1 G3/8	96507000	£ 43,00	1
14	O-ring 8x1,75	97827000	£ 3,30	1
15	squeezing connection	94158000	£ 9,00	1
16	connection hose 450 mm M8x0,75 G3/8	97206000	£ 35,00	1
17	O-ring 7x1,5	98422000	£ 3,30	1
18	pull rod	96657000	£ 13,30	1
a	pop up waste	94139000	£ 96,00	1
b	Hose extension set for 3-Hole Basin Mixer	38959000	£ 147,00	1
c	fixation extension 35 mm	13898000	£ 79,00	1
d	aerator M24x1 (3,5 l/min)	92508000	£ 20,50	1
e	aerator M24x1 (4,5 l/min)	92877000	£ 20,50	1
f	aerator swivelling M24x1 (5 l/min)	95928000	£ 35,00	1