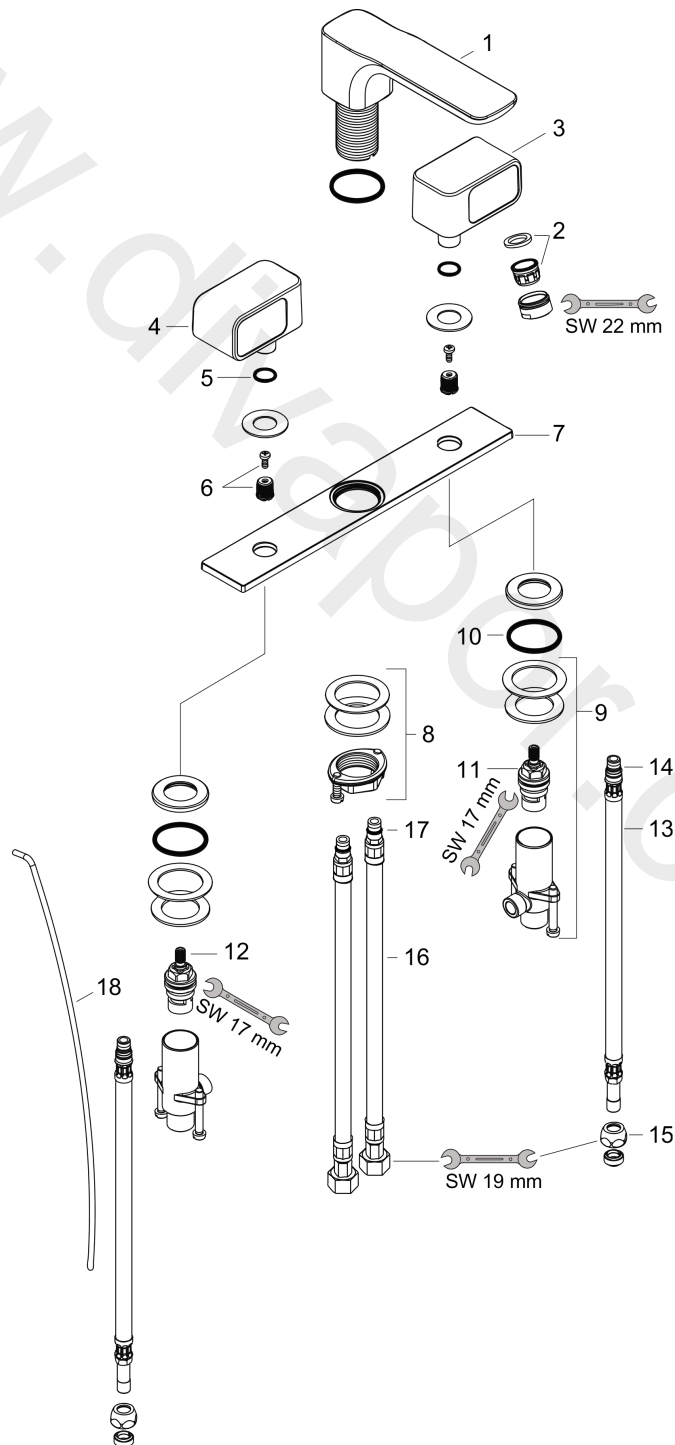


**AXOR Urquiola**  
**3-hole basin mixer 50 with plate and pop-up waste set**  
Surfaces: Article Number: **11040000**



## Exploded Drawing

Year of production: **04/09 - 12/09**



**AXOR Urquiola**  
**3-hole basin mixer 50 with plate and pop-up waste set**  
 Surfaces: Article Number: **11040000**



## Spare part list

Year of production: **04/09 - 12/09**

Pos.		Article Number	Price	PU
1	spout cpl.	95303000	£ 370,00	1
2	aerator M24x1 (7 l/min)	13085000	£ 13,30	1
3	handle for cold water	95305000	£ 173,00	1
4	handle for hot water	95304000	£ 173,00	1
5	O-ring 15x1,5	92118000	£ 3,30	1
6	handle fixing set	98932000	£ 16,10	1
7	escutcheon	95306000	£ 173,00	1
8	fixing set (Ø 32)	13961000	£ 25,00	1
9	stop valve cpl.	97357000	£ 137,00	1
10	O-ring 36x3	98052000	£ 3,30	1
11	shut off unit left closing	94008000	£ 43,00	1
12	shut off unit right closing	94009000	£ 43,00	1
13	connection hose 450 mm M10x1 G3/8	96507000	£ 43,00	1
14	O-ring 8x1,75	97827000	£ 3,30	1
15	squeezing connection	94158000	£ 9,00	1
16	connection hose 450 mm M8x0,75 G3/8	97206000	£ 35,00	1
17	O-ring 7x1,5	98422000	£ 3,30	1
18	pull rod	96657000	£ 13,30	1
a	fixation extension 35 mm	13898000	£ 79,00	1
b	pop up waste	94139000	£ 96,00	1