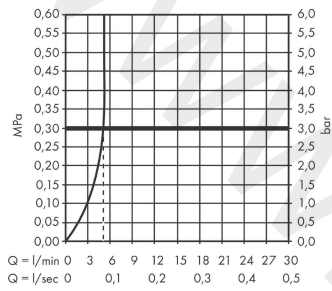


AXOR Urquiola
3-hole basin mixer 50 with plate and pop-up waste set
Finish: **Chrome** Article Number: **11040000**



Flowchart

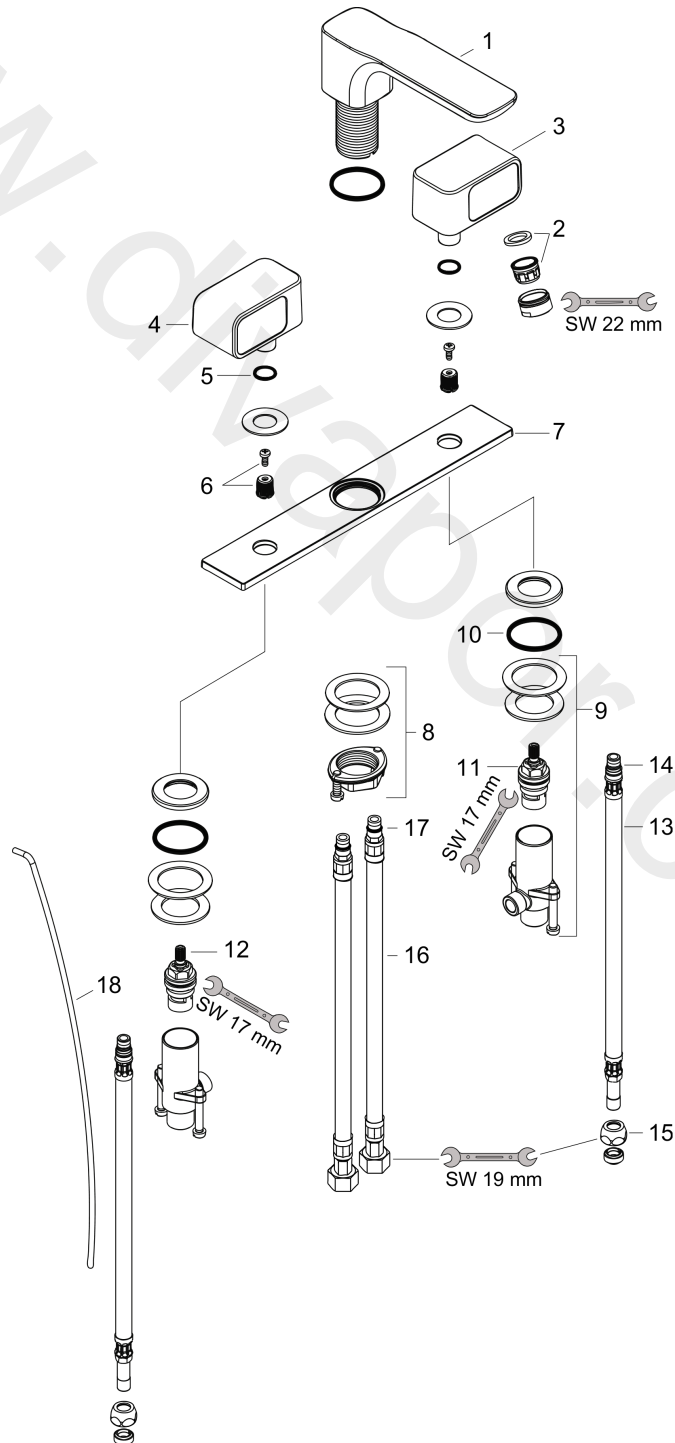


AXOR Urquiola
3-hole basin mixer 50 with plate and pop-up waste set
 Finish: **Chrome** Article Number: **11040000**



Exploded Drawing

Year of production: >01/10



AXOR Urquiola
3-hole basin mixer 50 with plate and pop-up waste set
 Finish: **Chrome** Article Number: **11040000**



Spare part list

Year of production: >01/10

Pos.		Article Number	Price	PU
1	spout cpl.	95303000	£ 370,00	1
2	handle for cold water	95305000	£ 173,00	1
3	handle for hot water	95304000	£ 173,00	1
4	aerator M24x1 (5 l/min)	13185000	£ 22,30	1
5	O-ring 15x1,5	92118000	£ 3,30	1
6	handle fixing set	98932000	£ 16,10	1
7	escutcheon	95306000	£ 173,00	1
8	fixing set (Ø 32)	13961000	£ 25,00	1
9	stop valve cpl.	97357000	£ 137,00	1
10	O-ring 36x3	98052000	£ 3,30	1
11	shut off unit left closing	94008000	£ 43,00	1
12	shut off unit right closing	94009000	£ 43,00	1
13	connection hose 450 mm M10x1 G3/8	96507000	£ 43,00	1
14	O-ring 8x1,75	97827000	£ 3,30	1
15	squeezing connection	94158000	£ 9,00	1
16	connection hose 450 mm M8x0,75 G3/8	97206000	£ 35,00	1
17	O-ring 7x1,5	98422000	£ 3,30	1
18	pull rod	96657000	£ 13,30	1
a	fixation extension 35 mm	13898000	£ 79,00	1
b	aerator M24x1 (3,5 l/min)	92508000	£ 20,50	1
c	aerator M24x1 (4,5 l/min)	92877000	£ 20,50	1
d	aerator swivelling M24x1 (5 l/min)	95928000	£ 35,00	1