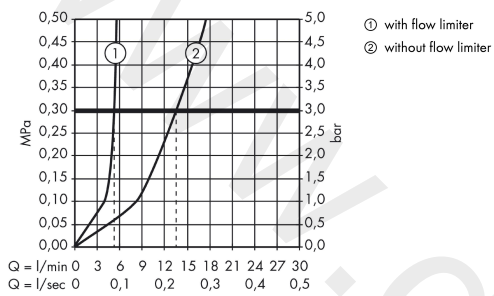


AXOR Urquiola
Single lever basin mixer 110 for hand wash basins with pop-up waste set
 Finish: **Chrome** Article Number: **11025000**



Flowchart

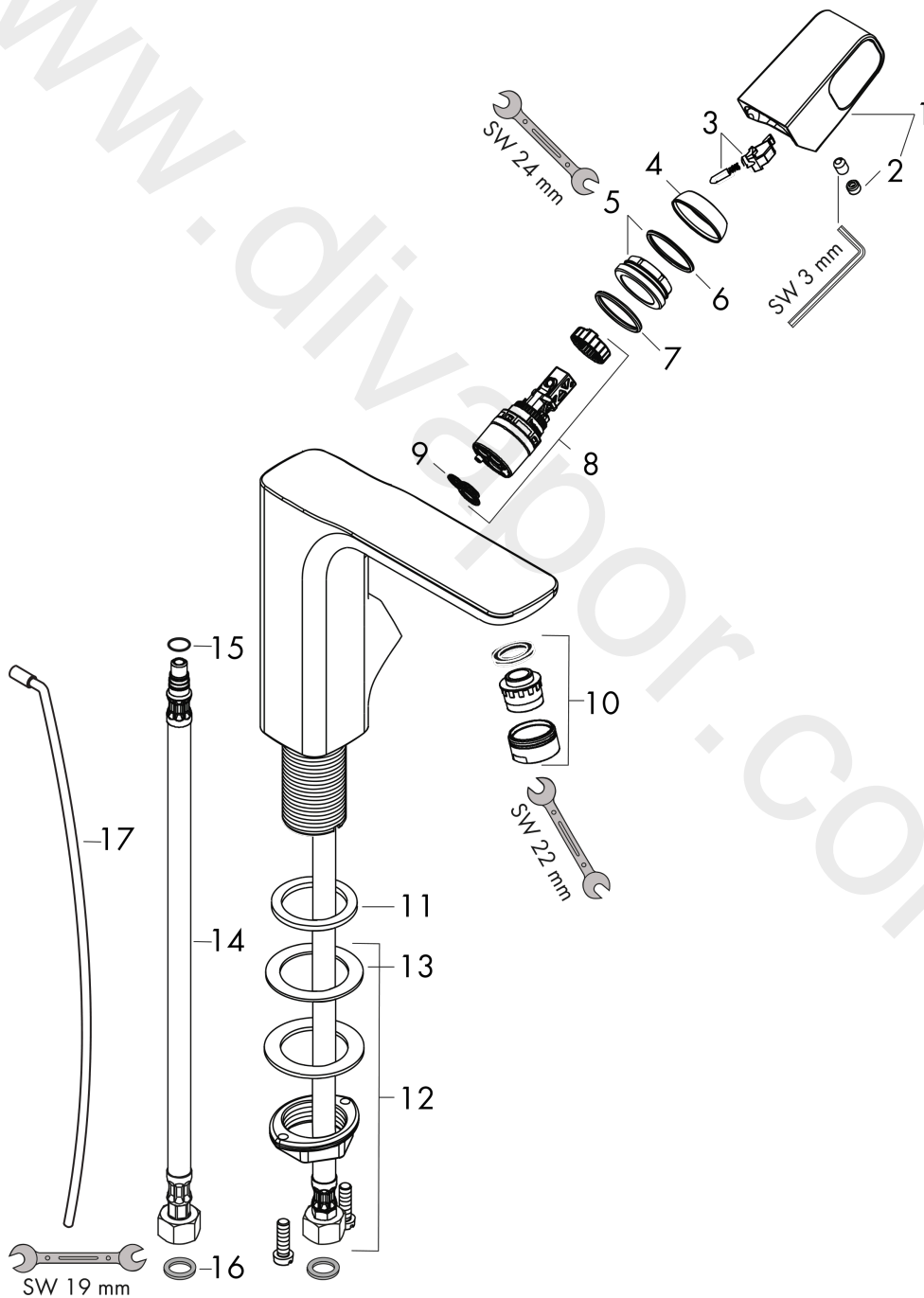


AXOR Urquiola
Single lever basin mixer 110 for hand wash basins with pop-up waste set
 Finish: **Chrome** Article Number: **11025000**



Exploded Drawing

Year of production: >10/10



AXOR Urquiola
Single lever basin mixer 110 for hand wash basins with pop-up waste set
 Finish: **Chrome** Article Number: **11025000**



Spare part list

Year of production: >10/10

Pos.		Article Number	Price	PU
1	handle	11093000	£ 173,00	1
2	screw cover	96762000	£ 3,30	1
3	spring with sleeve	92462000	£ 9,00	1
4	flange	98863000	£ 51,00	1
5	nut	95178000	£ 43,00	1
6	O-Ring 22x2	98185000	£ 3,30	1
7	O-ring 25x2	98389000	£ 3,30	1
8	cartridge, assy	97685000	£ 64,00	1
9	seal	98865000	£ 35,00	1
10	aerator M24x1 (5 l/min)	13185000	£ 22,30	1
11	seal	98457000	£ 20,50	1
12	fixing set (Ø 32)	13961000	£ 25,00	1
13	lever collar	97548000	£ 3,30	1
14	connection hose 450 mm M8x0,75 G3/8	97206000	£ 35,00	1
15	O-ring 7x1,5	98422000	£ 3,30	1
16	sealing set	95581000	£ 6,10	1
17	pull rod	96923000	£ 35,00	1
a	fixation extension 35 mm	13898000	£ 79,00	1
b	aerator M24x1 (3,5 l/min)	92508000	£ 20,50	1
c	aerator M24x1 (4,5 l/min)	92877000	£ 20,50	1
d	aerator swivelling M24x1 (5 l/min)	95928000	£ 35,00	1