

**AXOR Urquiola**  
**2-handle basin mixer 120 with pop-up waste set**  
 Finish: **Chrome** Article Number: **11024000**



### product features

- consists of: 2-handle basin mixer, waste set
- ComfortZone 120
- projection: 139 mm
- spout height: 120 mm
- handle variant: flat handle
- spray type: normal spray
- maximum flow rate at 3 bar: 5 l/min
- ceramic valves hot/cold 90°
- suitable for continuous flow water heaters
- pop-up waste set G 1¼
- connection type: G ¾ connections
- connection dimension: DN15

### Article Details

Price excl. VAT

750,00 £

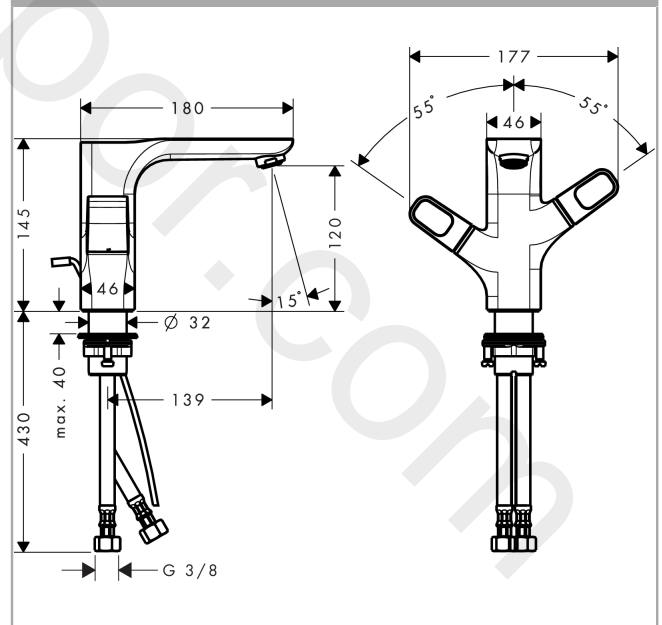
### Technology



### Product image



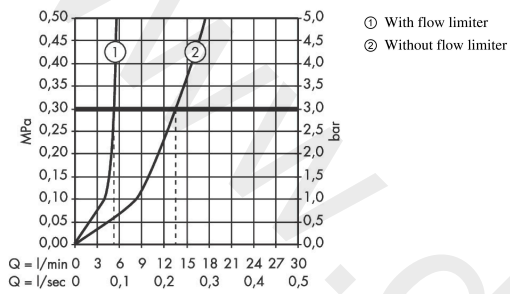
### Scale drawing



**AXOR Urquiola**  
**2-handle basin mixer 120 with pop-up waste set**  
 Finish: **Chrome** Article Number: **11024000**



## Flowchart

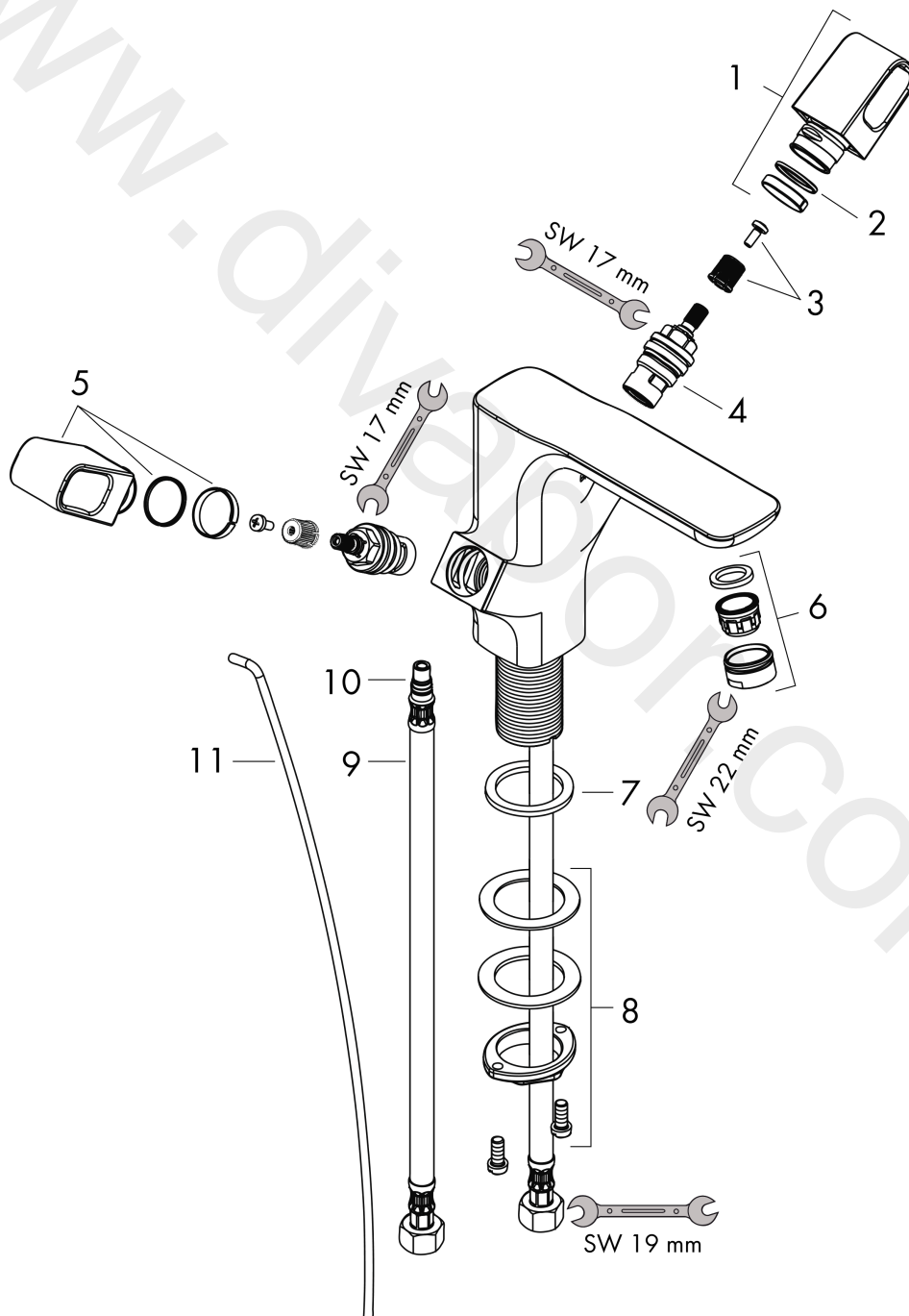


**AXOR Urquiola**  
**2-handle basin mixer 120 with pop-up waste set**  
Finish: **Chrome** Article Number: **11024000**



## Exploded Drawing

Year of production: >02/10



**AXOR Urquiola**  
**2-handle basin mixer 120 with pop-up waste set**  
 Finish: **Chrome** Article Number: **11024000**



## Spare part list

Year of production: >02/10

Pos.		Article Number	Price	PU
1	handle for cold water	95609000	£ 224,00	1
2	O-ring 20x1,5	98197000	£ 3,30	1
3	handle fixing set	98932000	£ 16,10	1
4	shut off unit right closing	94009000	£ 43,00	1
5	handle for hot water	95608000	£ 224,00	1
6	aerator M24x1 (5 l/min)	13185000	£ 22,30	1
7	flat seal	98749000	£ 6,10	1
8	fixing set (Ø 32)	13961000	£ 25,00	1
9	connection hose 450 mm M8x0,75 G3/8	97206000	£ 35,00	1
10	O-ring 7x1,5	98422000	£ 3,30	1
11	pull rod	96657000	£ 13,30	1
a	fixation extension 35 mm	13898000	£ 79,00	1
b	aerator M24x1 (3,5 l/min)	92508000	£ 20,50	1
c	aerator M24x1 (4,5 l/min)	92877000	£ 20,50	1
d	aerator swivelling M24x1 (5 l/min)	95928000	£ 35,00	1