

**AXOR Urquiola**  
**Single lever basin mixer 130 with waste set**  
 Finish: **Chrome** Article Number: **11021000**



### product features

- consists of: single lever basin mixer, waste set
- ComfortZone 130
- projection: 139 mm
- spout height: 132 mm
- handle variant: flat handle
- spray type: normal spray
- maximum flow rate at 3 bar: 5 l/min
- ceramic cartridge
- temperature limitation adjustable
- suitable for continuous flow water heaters
- non-closing waste set
- connection type: G 3/8 connections
- connection dimension: DN15
- WRAS 1903003

### Article Details

Price excl. VAT 666,67 £

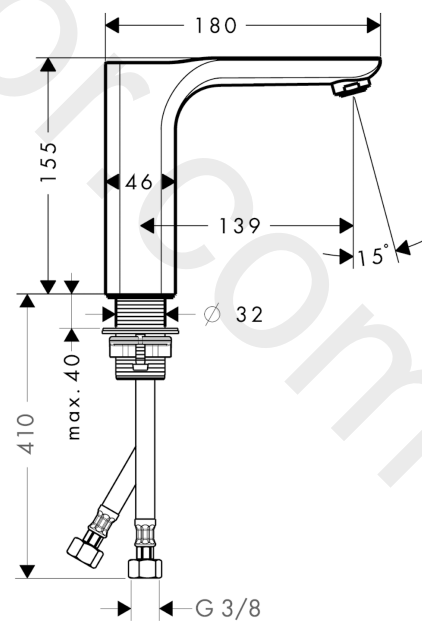
### Technology



### Product image



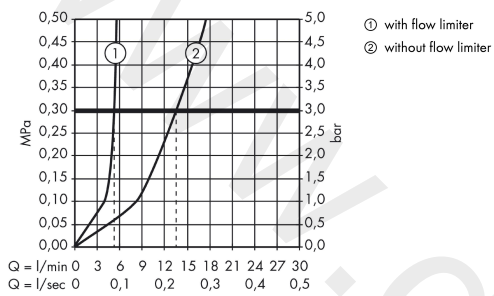
### Scale drawing



**AXOR Urquiola**  
**Single lever basin mixer 130 with waste set**  
 Finish: **Chrome** Article Number: **11021000**



## Flowchart

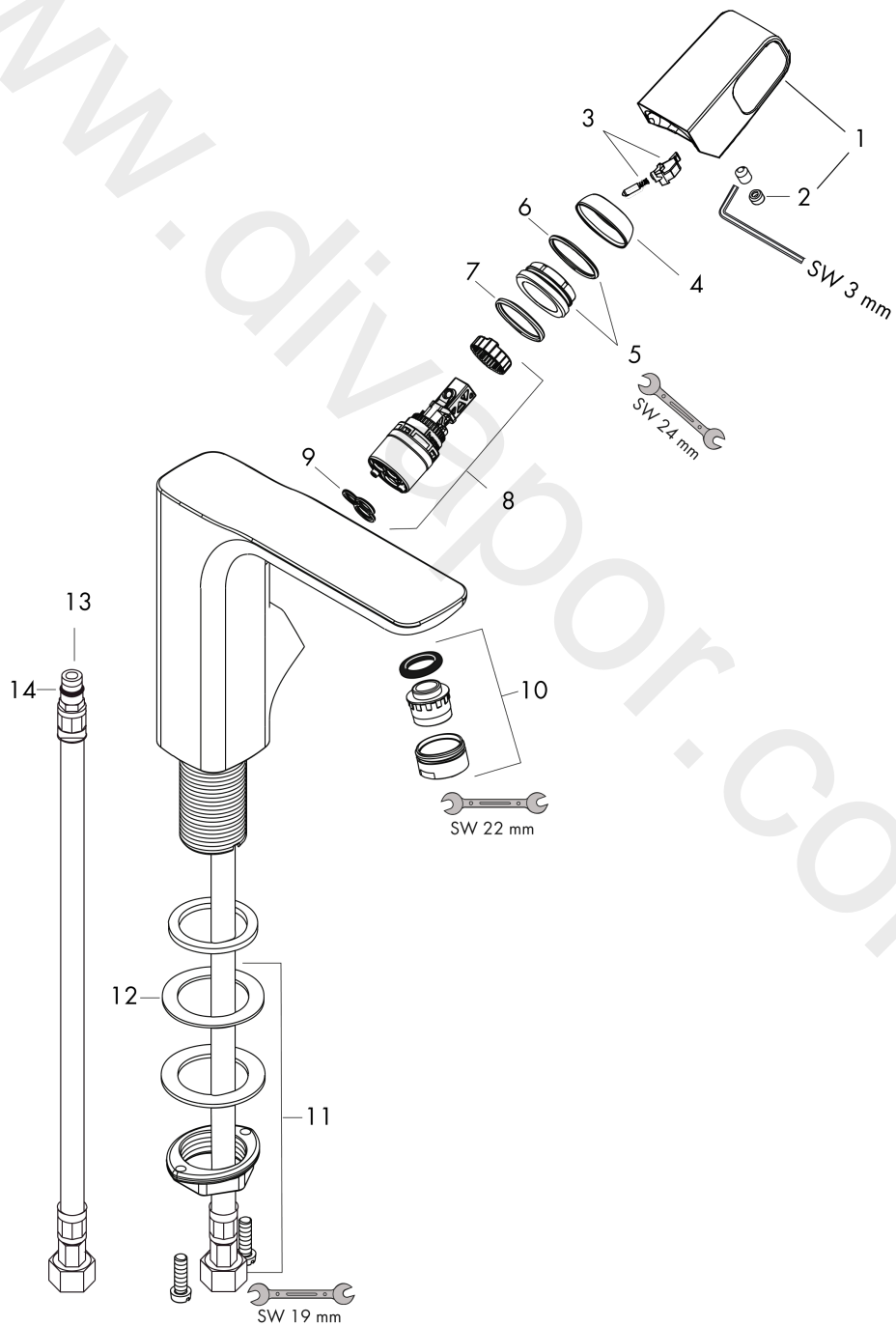


**AXOR Urquiola**  
**Single lever basin mixer 130 with waste set**  
Finish: **Chrome** Article Number: **11021000**



## Exploded Drawing

Year of production: >10/10



**AXOR Urquiola**  
**Single lever basin mixer 130 with waste set**  
 Finish: **Chrome** Article Number: **11021000**



## Spare part list

Year of production: >10/10

Pos.		Article Number	Price	PU
1	handle	11093000	£ 173,00	1
2	screw cover	96762000	£ 3,30	1
3	spring with sleeve	92462000	£ 9,00	1
4	flange	98863000	£ 51,00	1
5	nut	95178000	£ 43,00	1
6	O-Ring 22x2	98185000	£ 3,30	1
7	O-ring 25x2	98389000	£ 3,30	1
8	cartridge, assy	97685000	£ 64,00	1
9	seal	98865000	£ 35,00	1
10	aerator M24x1 (5 l/min)	13185000	£ 22,30	1
11	fixing set (Ø 32)	13961000	£ 25,00	1
12	lever collar	97548000	£ 3,30	1
13	connection hose 450 mm M8x0,75 G3/8	97206000	£ 35,00	1
14	O-ring 7x1,5	98422000	£ 3,30	1
a	waste	50001000	£ 71,00	1
b	fixation extension 35 mm	13898000	£ 79,00	1
c	aerator M24x1 (3,5 l/min)	92508000	£ 20,50	1
d	aerator M24x1 (4,5 l/min)	92877000	£ 20,50	1
e	aerator swivelling M24x1 (5 l/min)	95928000	£ 35,00	1