

AXOR ShowerSolutions
Shut-off valve 120/120 for concealed installation square
Finish: **Chrome** Article Number: **10972000**



product features

- connection type: DN15/DN20
- in a joined installation (10 mm distance) with no.10755000, no.10751000, no.10651000, no.28491000, no.40872000 or no.40873000 the use of basic set no.10971180 is recommended
- in a freely arranged installation, basic sets no.16973180, no.16974180 or no.16970180 can also be used

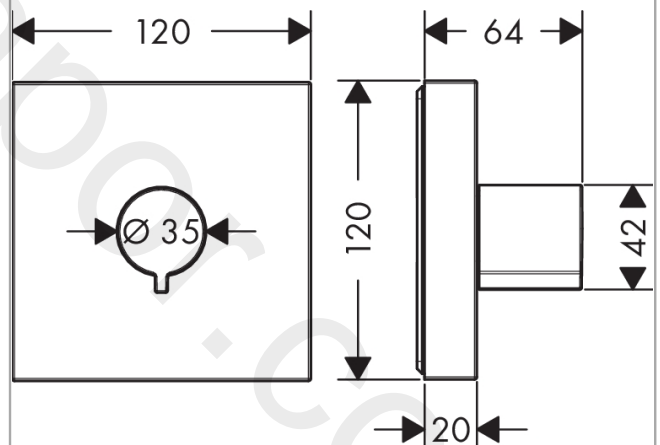
Article Details

Price excl. VAT 241,67 £

Product image



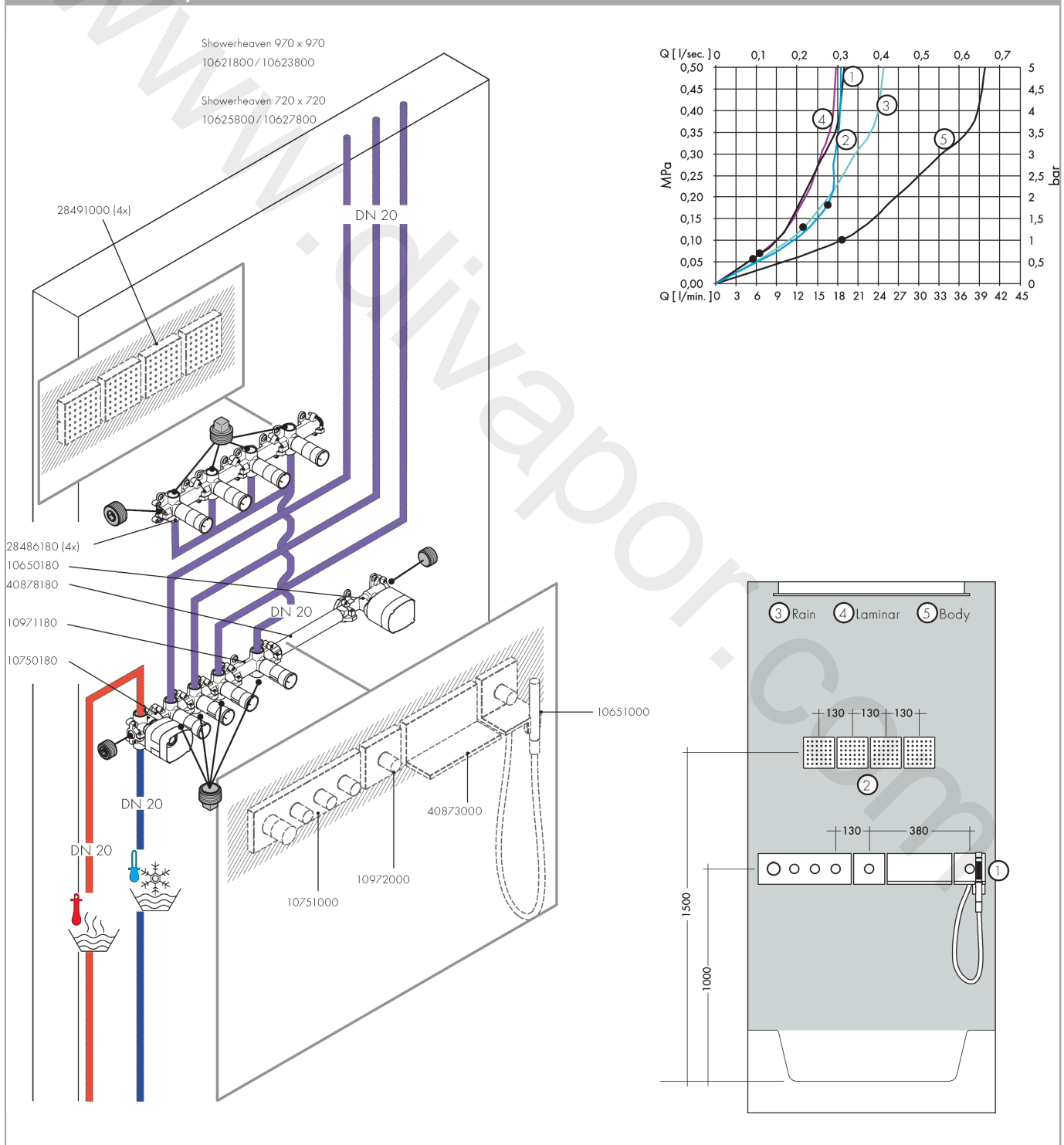
Scale drawing



AXOR ShowerSolutions
Shut-off valve 120/120 for concealed installation square
 Finish: **Chrome** Article Number: **10972000**



Installation examples

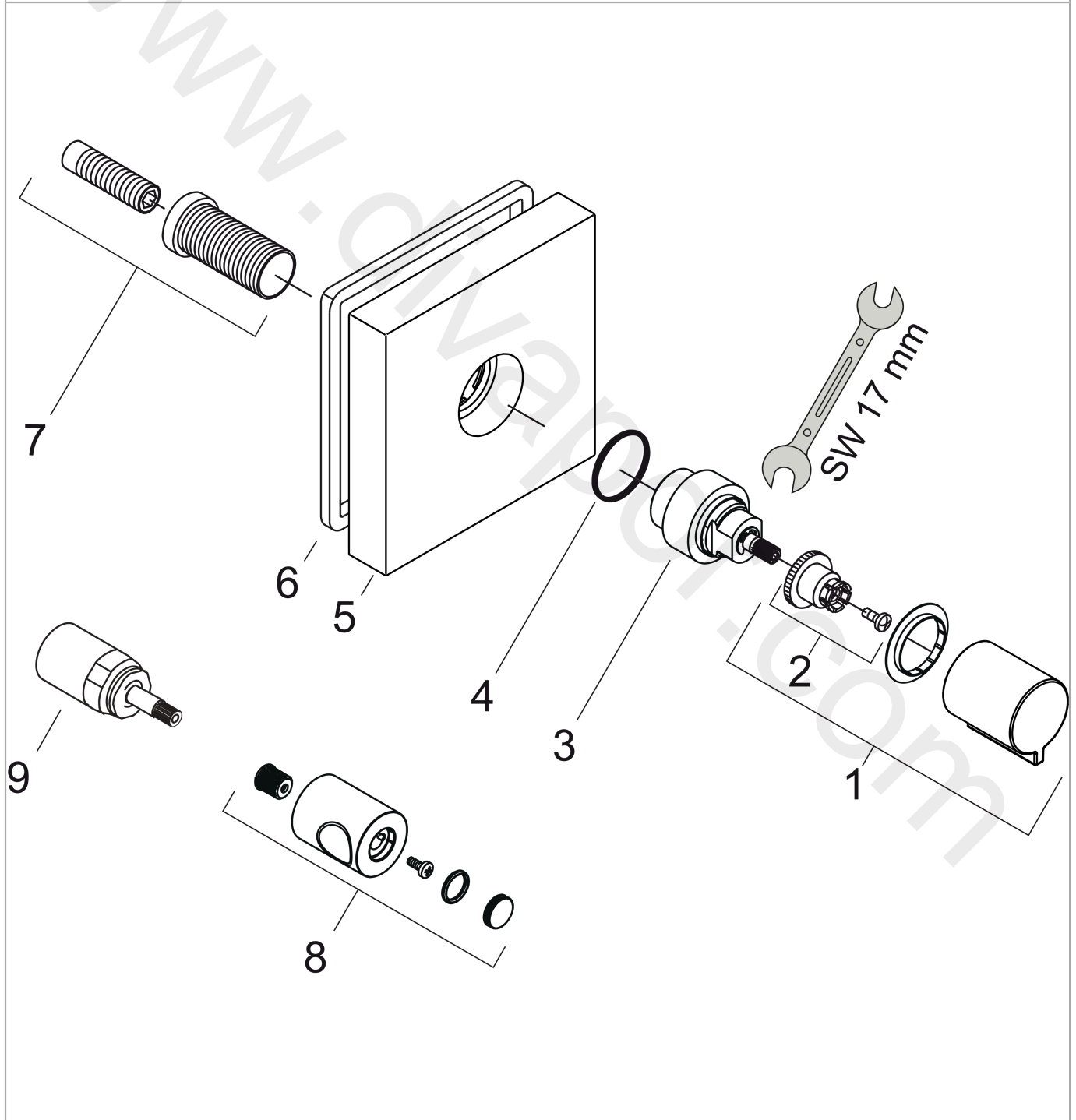


AXOR ShowerSolutions
Shut-off valve 120/120 for concealed installation square
Finish: **Chrome** Article Number: **10972000**



Exploded Drawing

Year of production: >02/14



AXOR ShowerSolutions
Shut-off valve 120/120 for concealed installation square
 Finish: **Chrome** Article Number: **10972000**



Spare part list

Year of production: >02/14

Pos.		Article Number	Price	PU
1	handle	92338000	£ 64,00	1
2	handle fixing set	94184000	£ 6,10	1
3	adapter for handle	95153000	£ 79,00	1
4	O-ring 26x2	98147000	£ 3,30	1
5	escutcheon	95358000	£ 173,00	1
6	seal	97737000	£ 9,00	1
7	fixing set	96393000	£ 35,00	1
8	handle	95423000	£ 96,00	1
9	extension 25 mm	96370000	£ 84,00	1
a	concealed item	10971180	£ 169,00	1
b	concealed items 1/2"	15973180	£ 130,00	1
c	concealed items 1/2"	15974180	£ 133,00	1
d	concealed items DN20 (3/4")	15970180	£ 138,00	1