

AXOR ShowerSolutions
Flood spout 240/120 for concealed installation
 Finish: **Chrome** Article Number: **10942000**



product features

- 1 function
- projection: 180 mm
- when positioning the spout between waterconducting parts (no.10751000, no.10755000, no.10972000, no.10651000, no.28491000, no.40872000, no.40873000) in joined installation (10 mm distance) it is recommended to use basic set no.10941180
- can be used as bath spout or flood shower
- maximum flow rate at 3 bar: 19 l/min
- connection dimension: DN20
- spray type: RainFlow
- WRAS 1809007
- WRAS 1809007
- WRAS 1809007 - Approval letter

Article Details

Price excl. VAT 750,00 £

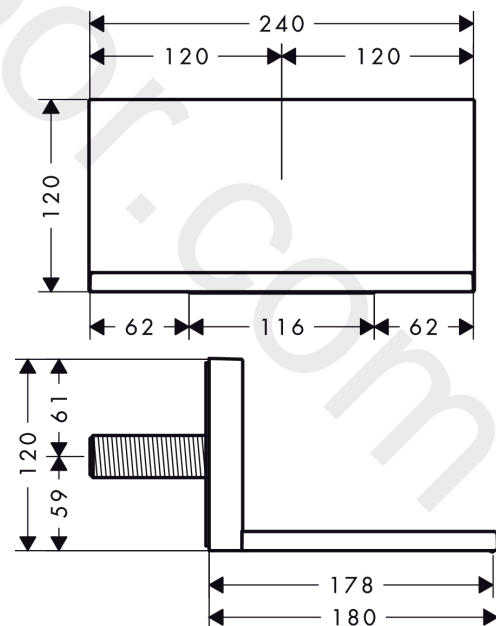
Technology



Product image



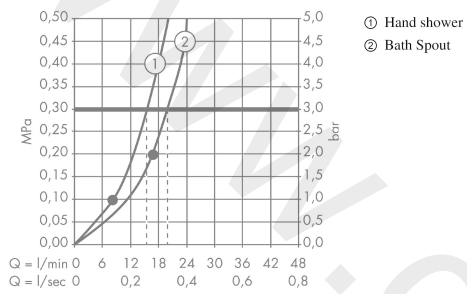
Scale drawing



AXOR ShowerSolutions
Flood spout 240/120 for concealed installation
Finish: **Chrome** Article Number: **10942000**



Flowchart

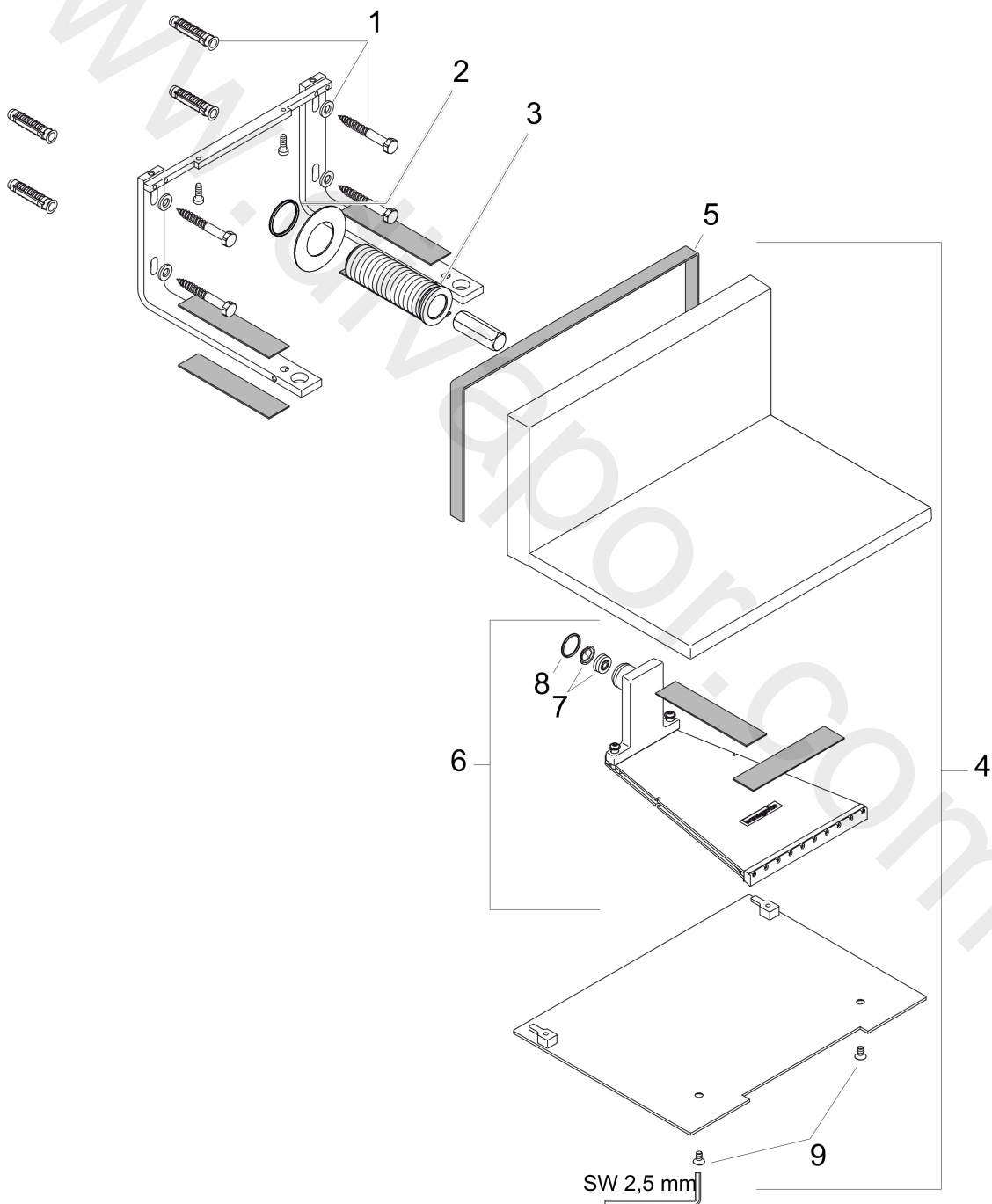


AXOR ShowerSolutions
Flood spout 240/120 for concealed installation
Finish: **Chrome** Article Number: **10942000**



Exploded Drawing

Year of production: >11/11



AXOR ShowerSolutions
Flood spout 240/120 for concealed installation
 Finish: **Chrome** Article Number: **10942000**



Spare part list

Year of production: >11/11

Pos.		Article Number	Price	PU
1	mounting kit	95430000	£ 43,00	1
2	O-ring 24x2	98388000	£ 3,30	1
3	connecting thread G $\frac{3}{4}$	95886000	£ 110,00	1
4	spout cpl.	95882000	£ 830,00	1
5	seal	95885000	£ 13,30	1
6	spray former	95883000	£ 224,00	1
7	flow limiter (22 l/min)	95884000	£ 13,30	1
8	O-ring 15x1,5	92118000	£ 3,30	1
9	set of screws	92834000	£ 13,30	1
a	-	10941180	£ 305,00	1
b	spray former (special 8°)	95492000	£ 25,00	1