

AXOR ShowerSolutions
Shut-off/ diverter valve Trio/ Quattro 120/120 for concealed installation
 Finish: **Chrome** Article Number: **10932000**



product features

- 3 consumers: in a freely-arranged installation (distance greater than 10 mm), the basic set no.15930180 must be used
- 2 consumers: in a joined installation (10 mm distance) with no.36702000, the basic set no.36770180 must be used
- 2 consumers: in a freely-arranged installation (distance greater than 10 mm), the basic set no.15981180 must be used
- simultaneous utilization of 2 functions
- WRAS 1810012
- WRAS 1810012
- WRAS 1810012 - Approval letter

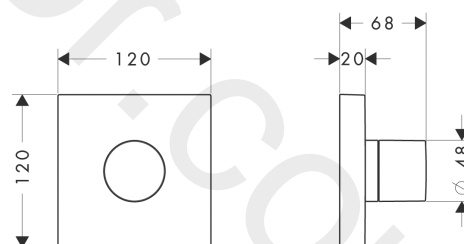
Article Details

Price excl. VAT 300,00 £

Product image



Scale drawing

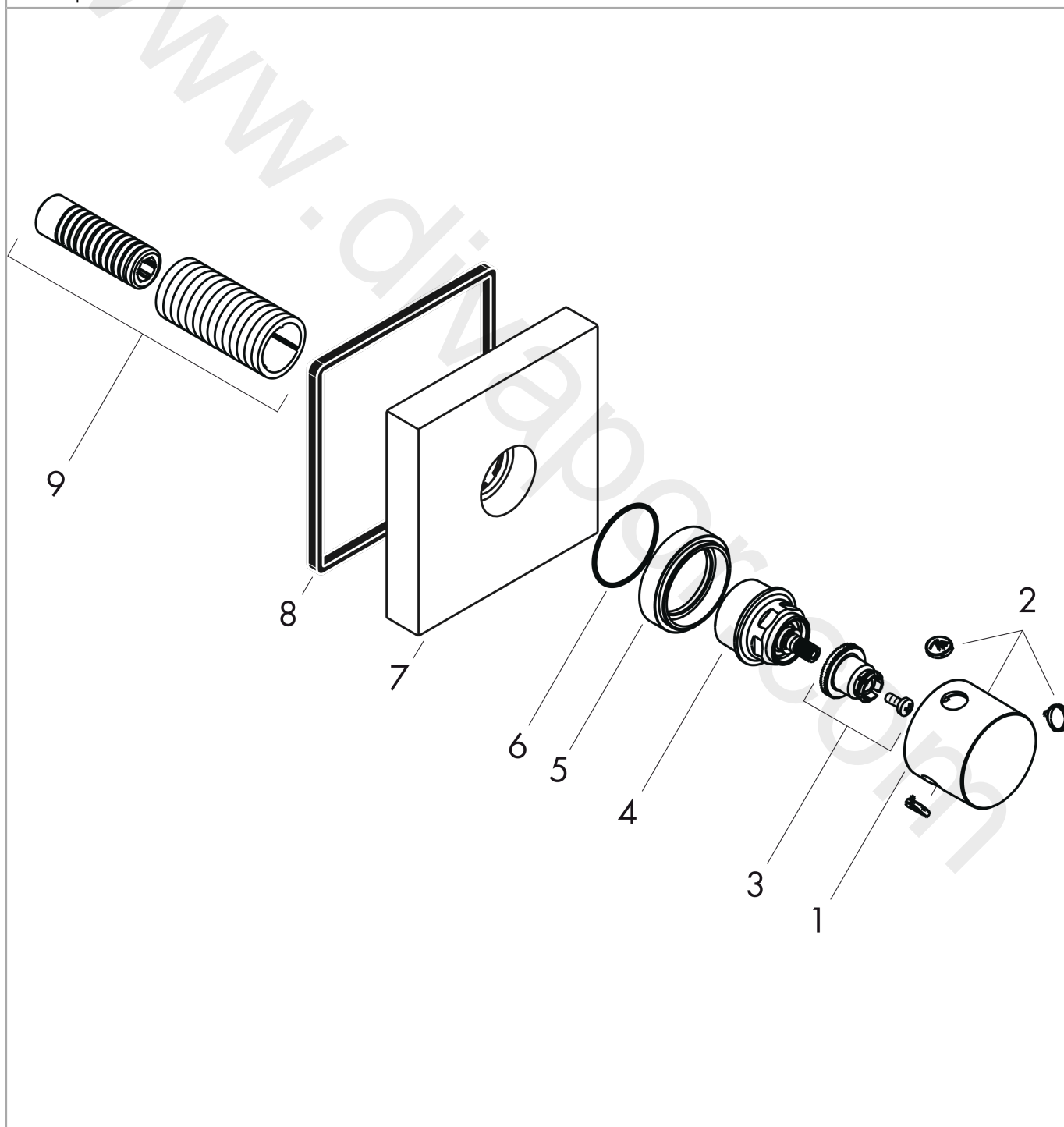


AXOR ShowerSolutions
Shut-off/ diverter valve Trio/ Quattro 120/120 for concealed installation
Finish: **Chrome** Article Number: **10932000**



Exploded Drawing

Year of production: >01/09



AXOR ShowerSolutions
Shut-off/ diverter valve Trio/ Quattro 120/120 for concealed installation
 Finish: **Chrome** Article Number: **10932000**



Spare part list

Year of production: >01/09

Pos.		Article Number	Price	PU
1	handle	18095000	£ 137,00	1
2	set of symbols	95237000	£ 20,50	1
3	handle fixing set	94184000	£ 6,10	1
4	nut	98677000	£ 35,00	1
5	sleeve	95360000	£ 64,00	1
6	O-ring 35x2,5	96006000	£ 3,30	1
7	escutcheon	95359000	£ 224,00	1
8	seal	97737000	£ 9,00	1
9	fixing set	96392000	£ 35,00	1
a	concealed item	15930180	£ 410,00	1
b	concealed item	15981180	£ 250,00	1
c	base body	36770180	£ 380,00	1