

AXOR Starck
Shut-off/ diverter valve Trio/ Quattro for concealed installation
Finish: **Chrome** Article Number: **10930000**



product features

- connection dimension: DN20
- WRAS 1810012
- WRAS 1810012
- WRAS 1810012 - Approval letter

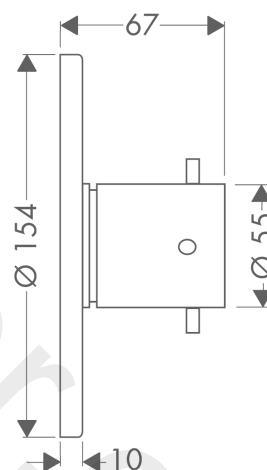
Article Details

Price excl. VAT 185,83 £

Product image



Scale drawing

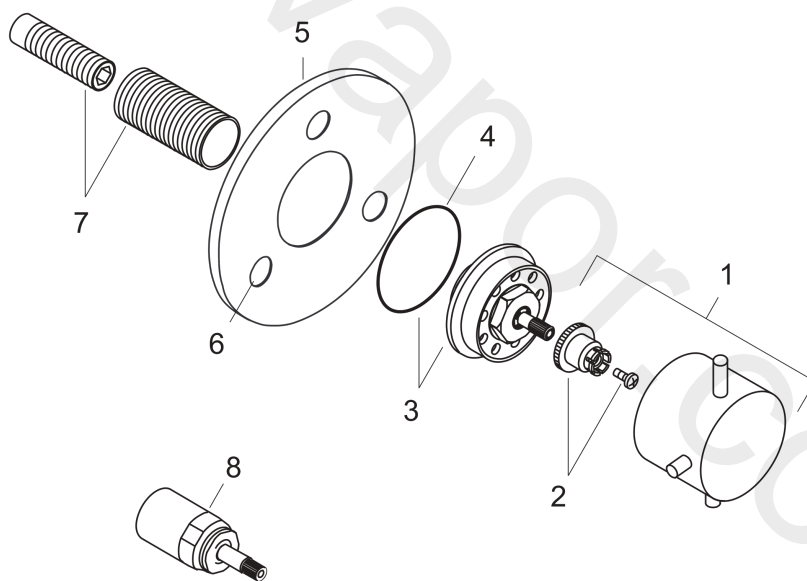


AXOR Starck
Shut-off/ diverter valve Trio/ Quattro for concealed installation
Finish: **Chrome** Article Number: **10930000**



Exploded Drawing

Year of production: >04/01



AXOR Starck
Shut-off/ diverter valve Trio/ Quattro for concealed installation
 Finish: **Chrome** Article Number: **10930000**



Spare part list

Year of production: >04/01

Pos.		Article Number	Price	PU
1	handle	10993000	£ 110,00	1
2	handle fixing set	94184000	£ 6,10	1
3	nut	96489000	£ 35,00	1
4	O-ring 57x2	98210000	£ 3,30	1
5	escutcheon Ø 154 mm	94356000	£ 110,00	1
6	stickers for symbols	97218610	£ 20,50	1
7	fixing set	96392000	£ 35,00	1
8	extension 25 mm	96370000	£ 84,00	1
a	concealed item	15930180	£ 410,00	1
b	concealed item	15981180	£ 250,00	1