

AXOR Starck

Basic set

Finish: Article Number: **10902180**



product features

- connection dimension: G ½
- no additional maintenance opening required
- rotationally-symmetric installation
- minimum mounting depth: 45 mm
- maximum mounting depth: 73 mm
- WRAS 2112056
- WRAS 2112056 - Approval letter

Article Details

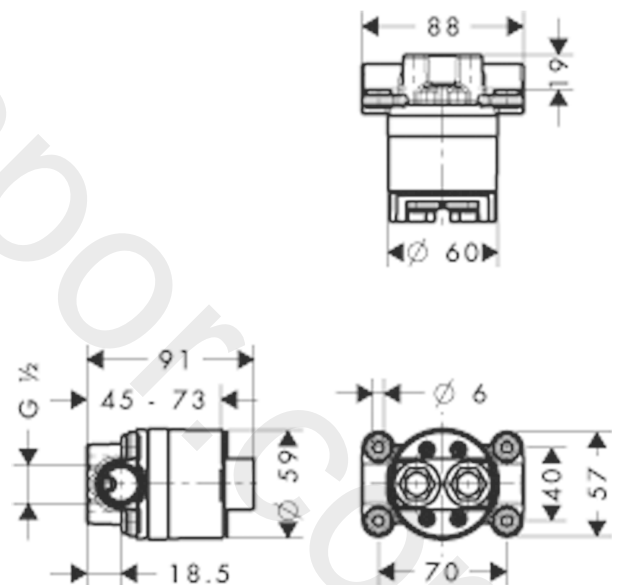
Price excl. VAT

404,17 £

Product image



Scale drawing



AXOR Starck

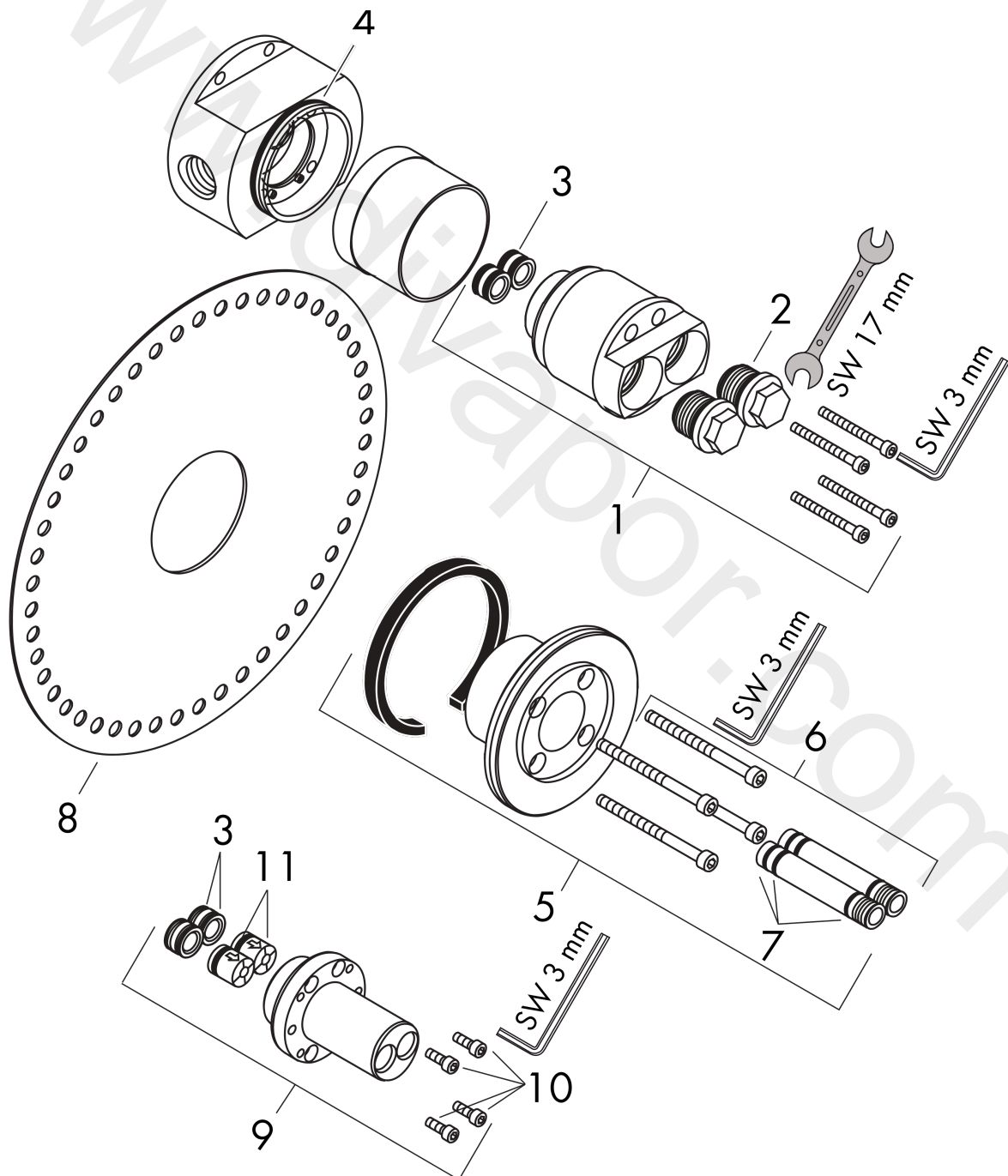
Basic set

Finish: Article Number: **10902180**



Exploded Drawing

Year of production: >07/00



AXOR Starck
Basic set

 Finish: Article Number: **10902180**

Spare part list

Year of production: >07/00

Pos.		Article Number	Price	PU
1	flushing unit complete	96491000	£ 137,00	1
2	O-ring 18x2	98181000	£ 6,10	1
3	O-ring 11x2	98127000	£ 3,30	1
4	O-ring 52x1,5	98200000	£ 6,10	1
5	extension set 28 mm	10980000	£ 300,00	1
6	extension set 28 mm	95857000	£ 173,00	1
7	O-ring 9x1,5	98117000	£ 3,30	1
8	sealing foil	96660000	£ 16,90	1
9	conversion kit	97130000	£ 110,00	1
10	hexagon socket screw M4x10	97661000	£ 6,10	1
11	set of non return valves DW 15	94074000	£ 16,10	1