

Kitchen device shut-off valve

Finish: **Stainless Steel Finish** Article Number: **10823800**



product features

- for counter surfaces up to 47 mm thick
- connection dimension entry: G 1/2
- connection dimension outlet: G 3/4
- device connection DN20
- non-return valve

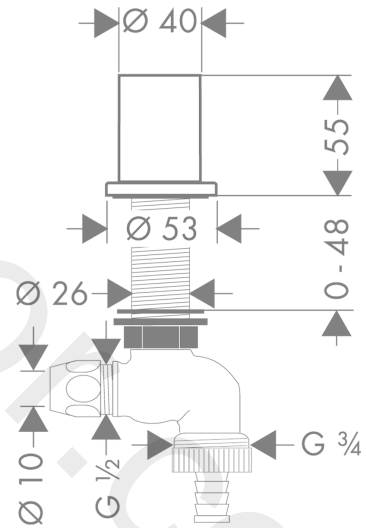
Article Details

Price excl. VAT 262,50 £

Product image



Scale drawing



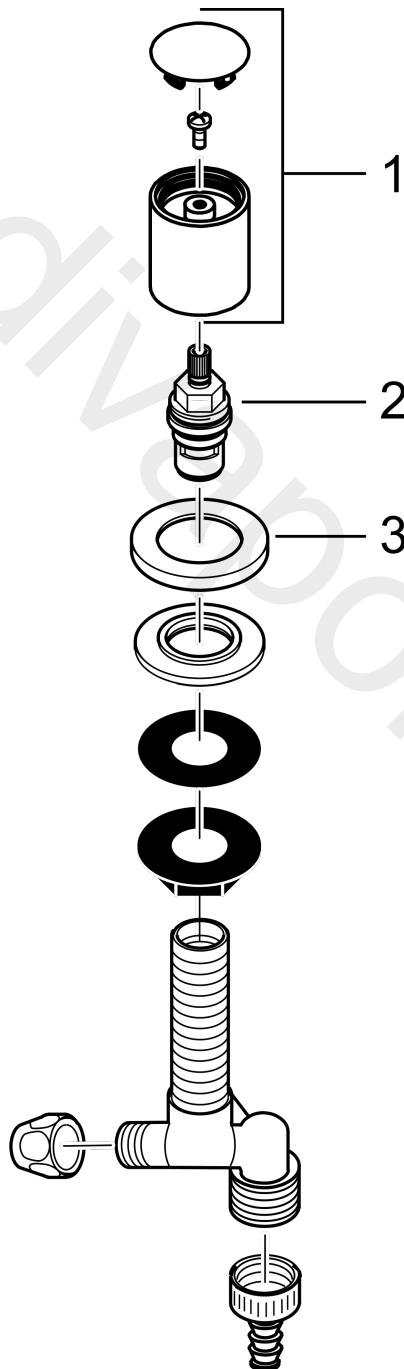
Kitchen device shut-off valve
Finish: **Stainless Steel Finish**

Article Number: **10823800**



Exploded Drawing

Year of production: >01/12



Kitchen device shut-off valve

Finish: **Stainless Steel Finish** Article Number: **10823800**



Spare part list

Year of production: >01/12

Pos.		Article Number	Price	PU
1	handle	96495800	-	1
2	shut off unit with non return valve	95054000	£ 35,00	1
3	escutcheon Ø 53 mm	94115800	£ 51,00	1