

Kitchen device shut-off valve

Finish: **Chrome** Article Number: **10823000**



product features

- for counter surfaces up to 47 mm thick
- connection dimension entry: G 1/2
- connection dimension outlet: G 3/4
- device connection DN20
- non-return valve

Article Details

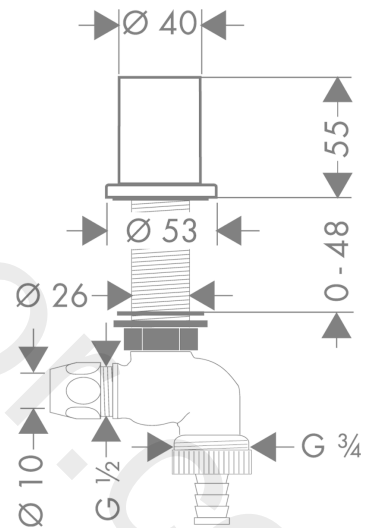
Price excl. VAT

155,00 £

Product image



Scale drawing



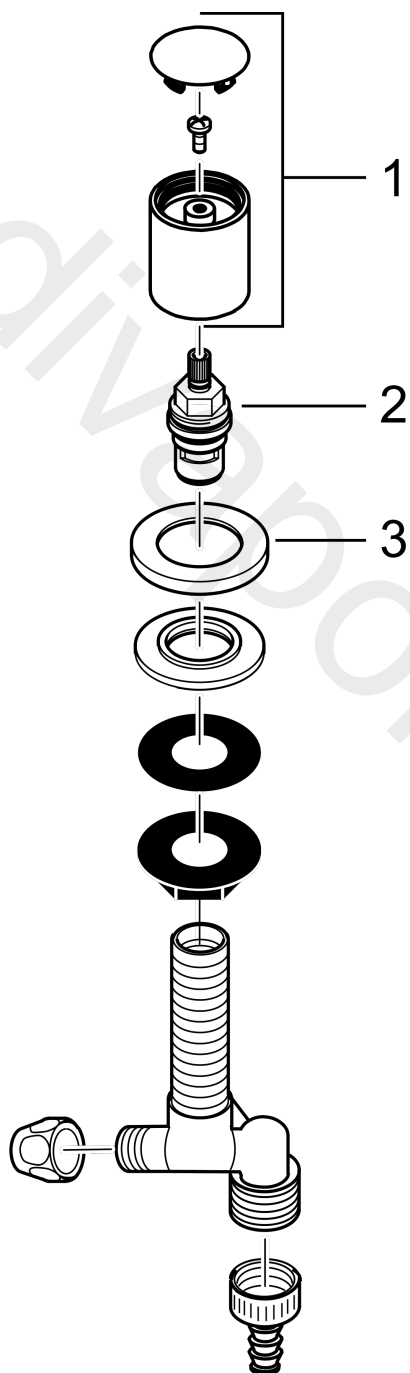
Kitchen device shut-off valve

Finish: **Chrome** Article Number: **10823000**



Exploded Drawing

Year of production: >01/12



Kitchen device shut-off valve

Finish: **Chrome** Article Number: **10823000**



Spare part list

Year of production: >01/12

Pos.		Article Number	Price	PU
1	handle	96495000	£ 96,00	1
2	shut off unit with non return valve	95054000	£ 35,00	1
3	escutcheon Ø 53 mm	94115000	£ 20,50	1