

AXOR Starck
Single lever kitchen mixer 300 with swivel spout
 Finish: **Chrome** Article Number: **10822000**



product features

- ComfortZone 300
- swivel range adjustable in 3 steps 110°, 150° or 360°
- normal spray
- connection dimension: DN15
- maximum flow rate at 3 bar: 15 l/min
- joystick ceramic cartridge
- connection type: G 3/8 connections
- integrated non-return valve
- suitable for continuous flow water heaters
- WRAS 2305008
- WRAS 2305008 - Approval letter 2305008

Article Details

Price excl. VAT

550,00 £

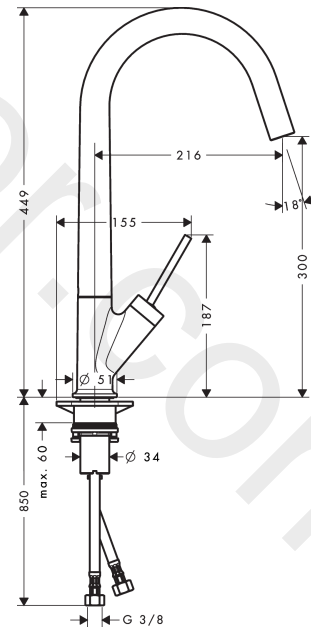
Technology



Product image



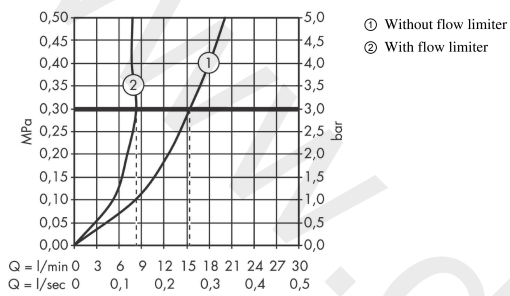
Scale drawing



AXOR Starck
Single lever kitchen mixer 300 with swivel spout
 Finish: **Chrome** Article Number: **10822000**



Flowchart

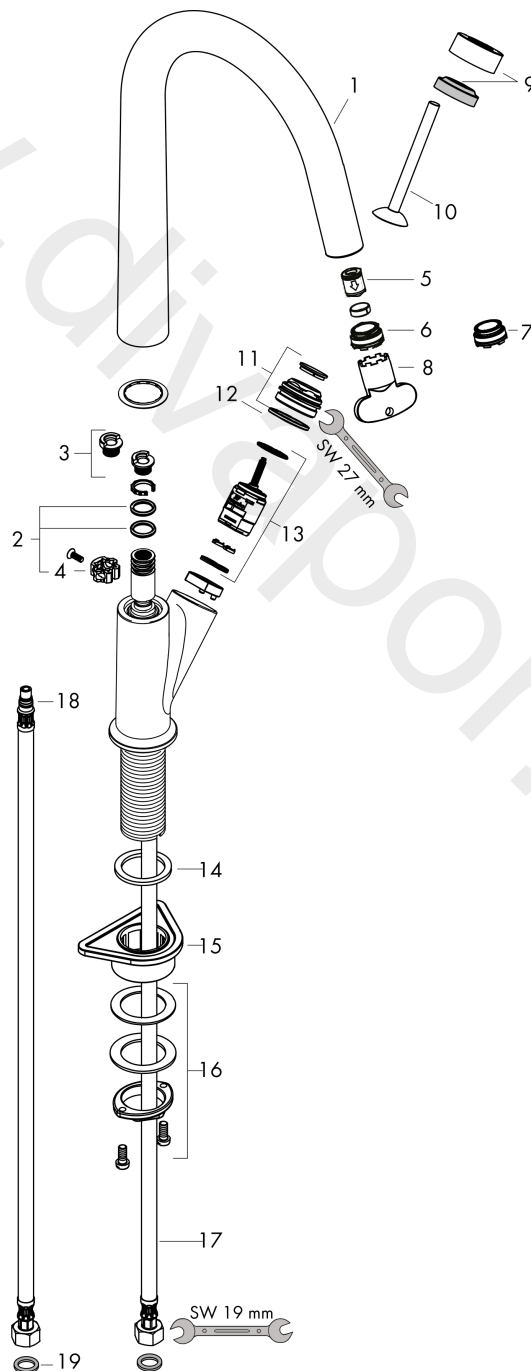


AXOR Starck
Single lever kitchen mixer 300 with swivel spout
Finish: **Chrome** Article Number: **10822000**



Exploded Drawing

Year of production: >05/12



AXOR Starck
Single lever kitchen mixer 300 with swivel spout
 Finish: **Chrome** Article Number: **10822000**



Spare part list

Year of production: >05/12

Pos.		Article Number	Price	PU
1	spout cpl.	95892000	£ 445,00	1
2	sealing set	92646000	£ 20,50	1
3	set of locating rings (110° / 150°)	98486000	£ 16,10	1
4	axialring	97558000	£ 3,30	1
5	set of non return valves DW 15	94074000	£ 16,10	1
6	aerator M24x1 (30 l/min)	98998000	£ 35,00	1
7	aerator M24x1 (7 l/min)	95965000	£ 35,00	1
8	special tool	95290000	£ 9,00	1
9	flange	97155000	£ 43,00	1
10	handle	95893000	£ 173,00	1
11	nut	97157000	£ 20,50	1
12	O-Ring 30x2	98186000	£ 3,30	1
13	cartridge, assy	96339000	£ 79,00	1
14	flat seal	98749000	£ 6,10	1
15	support	97523000	£ 6,10	1
16	fixing set (Ø 34)	95049000	£ 16,10	1
17	connection hose 900 mm M8x0,75 G3/8	98758000	£ 35,00	1
18	O-ring 7x1,5	98422000	£ 3,30	1
19	sealing set	95581000	£ 6,10	1
a	set of locating rings (60° / 80°)	92259000	£ 20,50	1
b	service tool for disassembling the handle	92124000	£ 137,00	1