

**AXOR Starck**  
**Single lever kitchen mixer 240 Semi-Pro**  
 Finish: **Chrome** Article Number: **10820000**



### product features

- ComfortZone 240
- swivel range 360°
- shower spray, laminar spray
- lockable shower spray, spray returns through pressing spray diverter
- connection dimension: DN15
- maximum flow rate at 3 bar: 9 l/min
- joystick ceramic cartridge
- connection type: G 3/8 connections
- integrated non-return valve
- suitable for continuous flow water heaters

### Article Details

Price excl. VAT

825,00 £

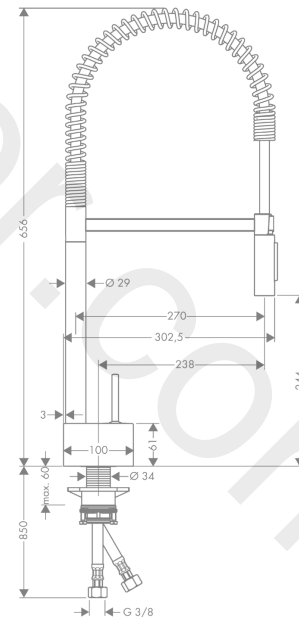
### Technology



### Product image



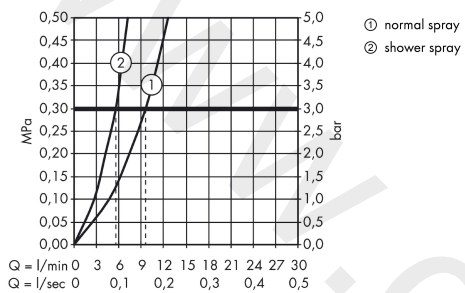
### Scale drawing



**AXOR Starck**  
**Single lever kitchen mixer 240 Semi-Pro**  
Finish: **Chrome** Article Number: **10820000**



## Flowchart

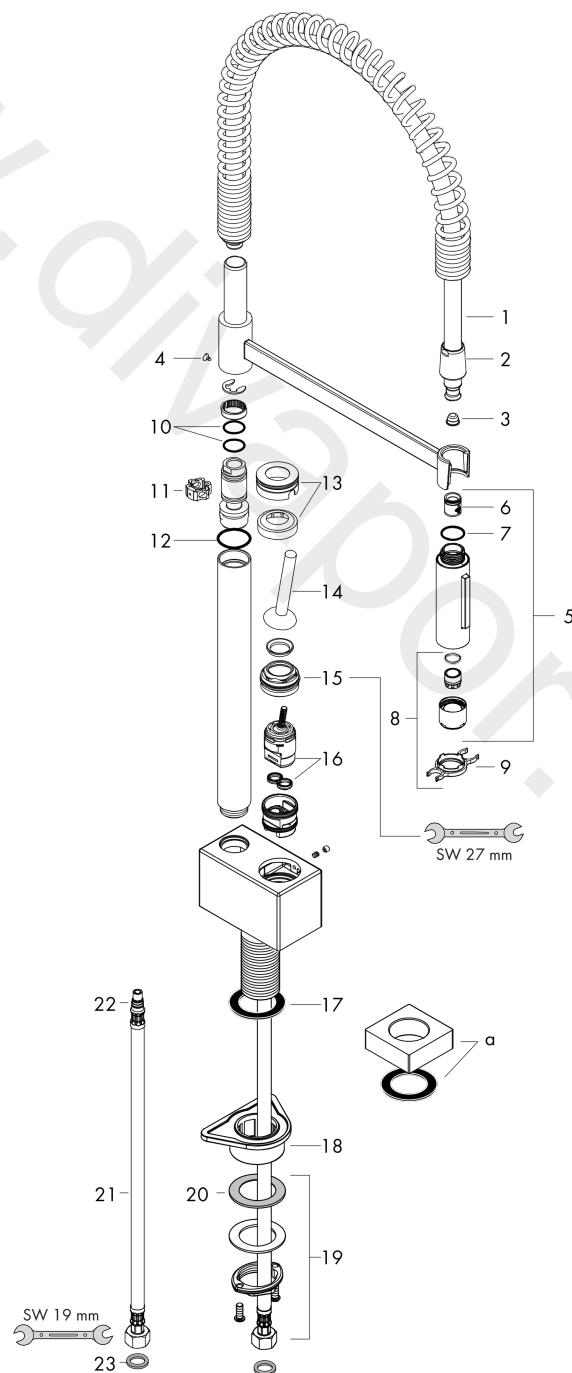


**AXOR Starck**  
**Single lever kitchen mixer 240 Semi-Pro**  
 Finish: **Chrome** Article Number: **10820000**



## Exploded Drawing

Year of production: >02/12



**AXOR Starck**  
**Single lever kitchen mixer 240 Semi-Pro**  
 Finish: **Chrome** Article Number: **10820000**



## Spare part list

Year of production: >02/12

Pos.		Article Number	Price	PU
1	shower hose	97475000	£ 79,00	1
2	nut	92757000	£ 16,10	1
3	filter	97735000	£ 3,30	1
4	screw	97662000	£ 9,00	1
5	handspray	95908000	£ 173,00	1
6	set of non return valves DW 15	97350000	£ 20,50	1
7	O-ring 18x1,5	98231000	£ 3,30	1
8	aerator laminar M22x1 (15 l/min)	95909000	£ 51,00	1
9	service tool	95910000	£ 9,00	1
10	O-ring 17x2,5	98387000	£ 3,30	1
11	axialring	97558000	£ 3,30	1
12	O-ring 21x2	98205000	£ 6,10	1
13	escutcheon	97466000	£ 51,00	1
14	handle	10092000	£ 79,00	1
15	nut	97157000	£ 20,50	1
16	cartridge, assy	96783000	£ 96,00	1
17	sealing washer	97825000	£ 3,30	1
18	support	97523000	£ 6,10	1
19	fixing set (Ø 34)	95049000	£ 16,10	1
20	lever collar	97548000	£ 3,30	1
21	connection hose 900 mm M10x1 G3/8	98785000	£ 35,00	1
22	O-ring 8x1,75	97827000	£ 3,30	1
23	sealing set	95581000	£ 6,10	1
a	extension base	97474000	£ 96,00	1
b	service tool for disassembling the handle	92124000	£ 137,00	1