

## AXOR ShowerSolutions

### Basic set for thermostatic module 120/120 for concealed installation

Finish: Article Number: **10754180**



#### product features

- connection dimension: DN20
- flow rate at free through-flow: 59 l/min
- horizontal or vertical installation
- sound-decoupled installation
- in a joined installation it serves as a waterconducting unit and allows dimensionally accurate positioning
- WRAS 1806015
- WRAS 1806015 - Approval letter

#### Article Details

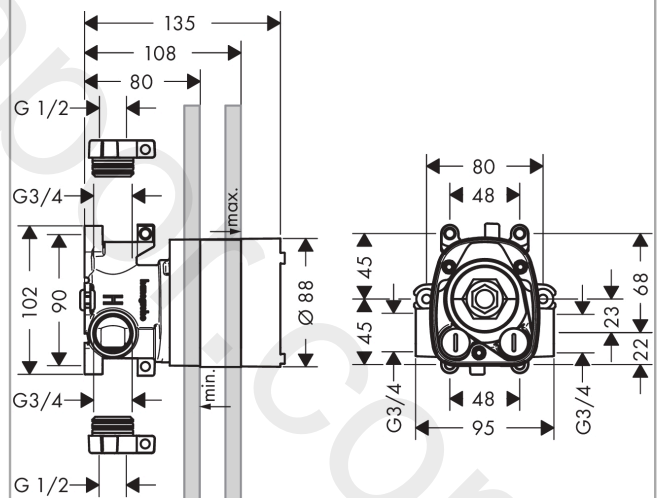
Price excl. VAT

379,17 £

#### Product image



#### Scale drawing

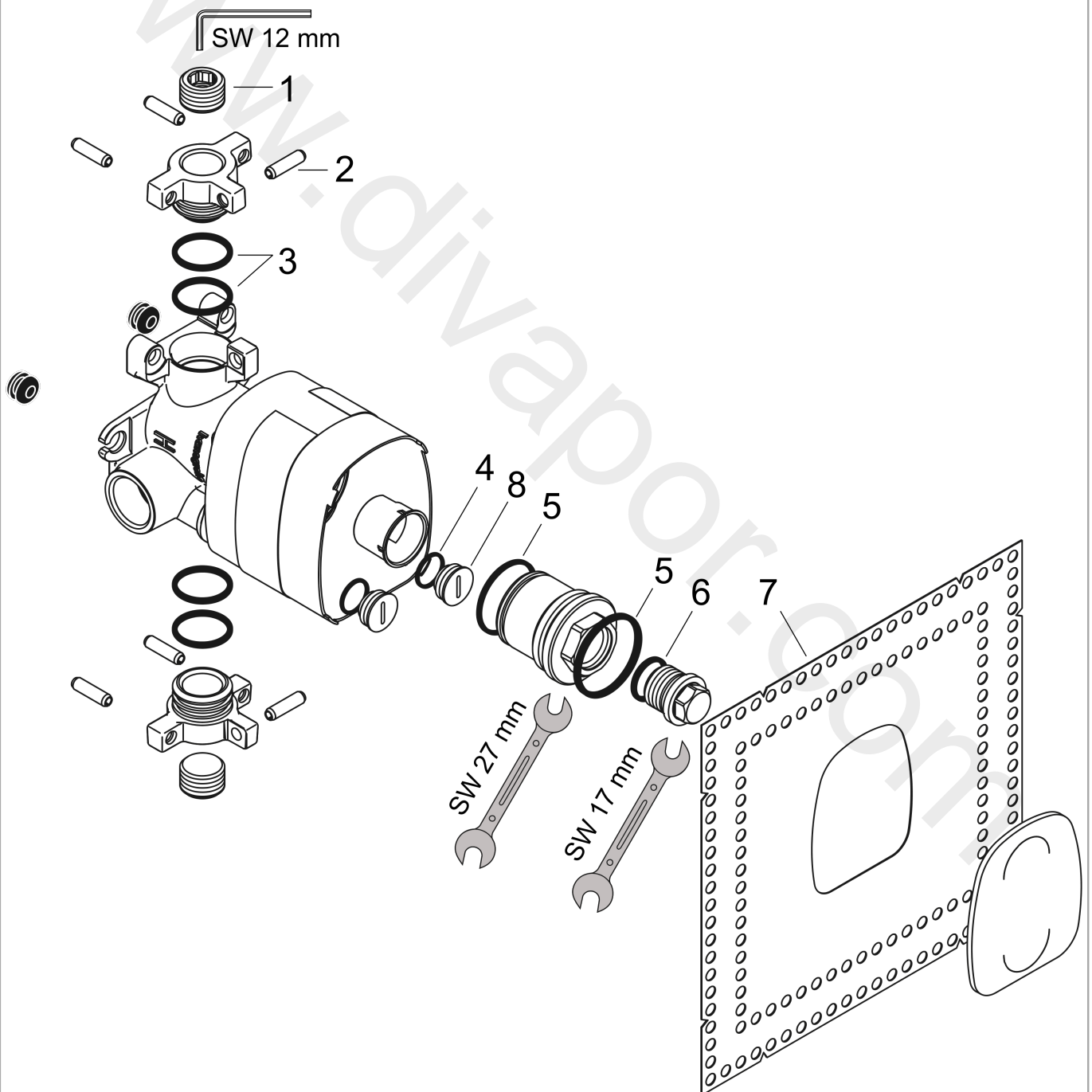


**AXOR ShowerSolutions**  
**Basic set for thermostatic module 120/120 for concealed installation**  
Finish: Article Number: **10754180**



## Exploded Drawing

Year of production: >04/15



## AXOR ShowerSolutions

Basic set for thermostatic module 120/120 for concealed installation

Finish: Article Number: **10754180**



### Spare part list

Year of production: >04/15

Pos.		Article Number	Price	PU
1	plug	97998000	£ 9,00	1
2	plug	95335000	£ 43,00	1
3	O-Ring 23x2,5	98183000	£ 3,30	1
4	O-ring 15x1,5	92118000	£ 3,30	1
5	O-ring 38x2,5	98198000	£ 6,10	1
6	O-ring 18x2	98181000	£ 6,10	1
7	sealing foil	95389000	£ 13,30	1
8	plug	92859000	£ 20,50	1
a	Grease	90920000	£ 16,10	1