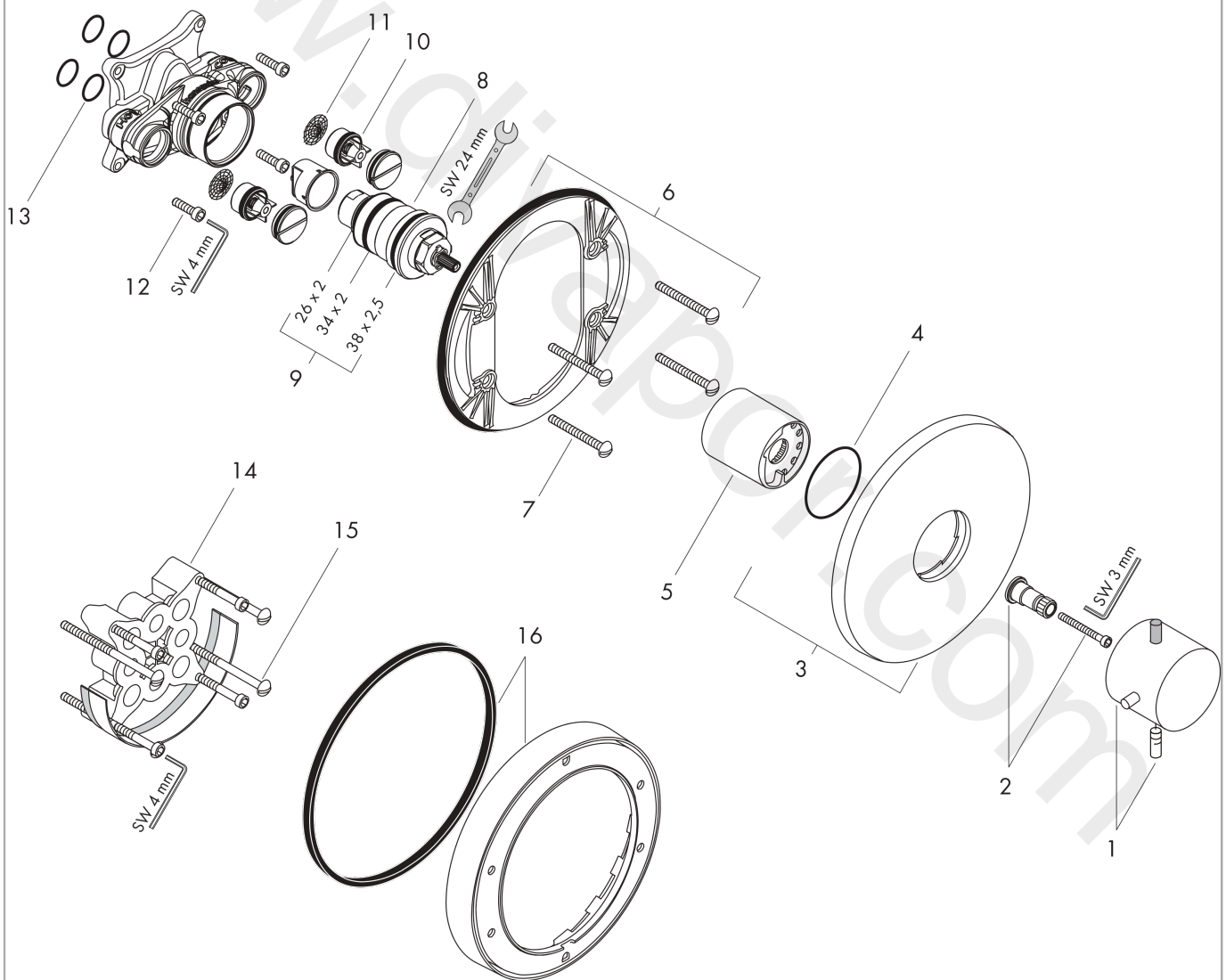


AXOR Starck
Thermostat HighFlow for concealed installation
Surfaces: Article Number: **10715000**



Exploded Drawing

Year of production: **06/11 - 01/12**



AXOR Starck
Thermostat HighFlow for concealed installation
 Surfaces: Article Number: **10715000**



Spare part list

Year of production: **06/11 - 01/12**

Pos.		Article Number	Price	PU
1	handle for thermostat	10391000	£ 110,00	1
2	adapter for handle	96435000	£ 20,50	1
3	escutcheon Ø 170 mm	95803000	£ 137,00	1
4	O-Ring 48x3	95508000	£ 3,30	1
5	sleeve	97439000	£ 43,00	1
6	sub plate	96447000	£ 51,00	1
7	set of fixing screws	96454000	£ 9,00	1
8	thermostat cartridge	96633000	£ 137,00	1
9	sealing set	96636000	£ 51,00	1
10	non return valve	96655000	£ 13,30	1
11	filter	97367000	£ 9,00	1
12	set of screws	96525000	£ 9,00	1
13	O-ring 16x2	98133000	£ 3,30	1
14	extension 25 mm	13595000	£ 75,00	1
15	set of fixing screws	97747000	£ 3,30	1
16	extension 22 mm (Ø 170 mm)	13596000	£ 72,00	1
a	concealed item	01800180	£ 163,00	1