

**AXOR Starck**  
**Thermostat HighFlow for concealed installation**  
 Finish: **Chrome** Article Number: **10715000**



### product features

- thermostat cartridge
- maximum flow rate at 3 bar: 59 l/min
- flow rate upper outlet: 42 l/min
- flow rate lower outlet: 42 l/min
- min. operating pressure: 1 bar
- max. operating pressure: 10 bar
- safety stop at 40 °C
- temperature limitation adjustable
- non-return valve
- with silencer
- connection type: basic set
- WRAS 2305061
- WRAS 2305061 - Approval letter 2305061

### Article Details

Price excl. VAT 725,00 £

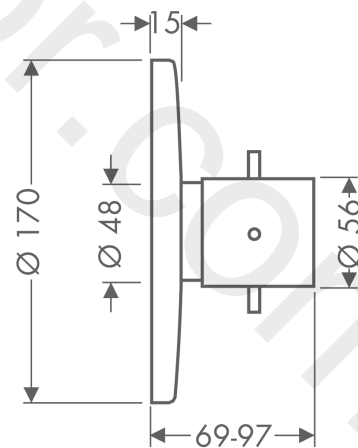
### Technology



### Product image



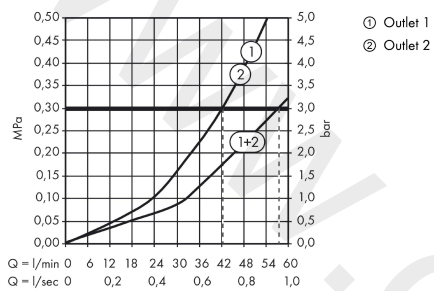
### Scale drawing



**AXOR Starck**  
**Thermostat HighFlow for concealed installation**  
 Finish: **Chrome** Article Number: **10715000**



## Flowchart

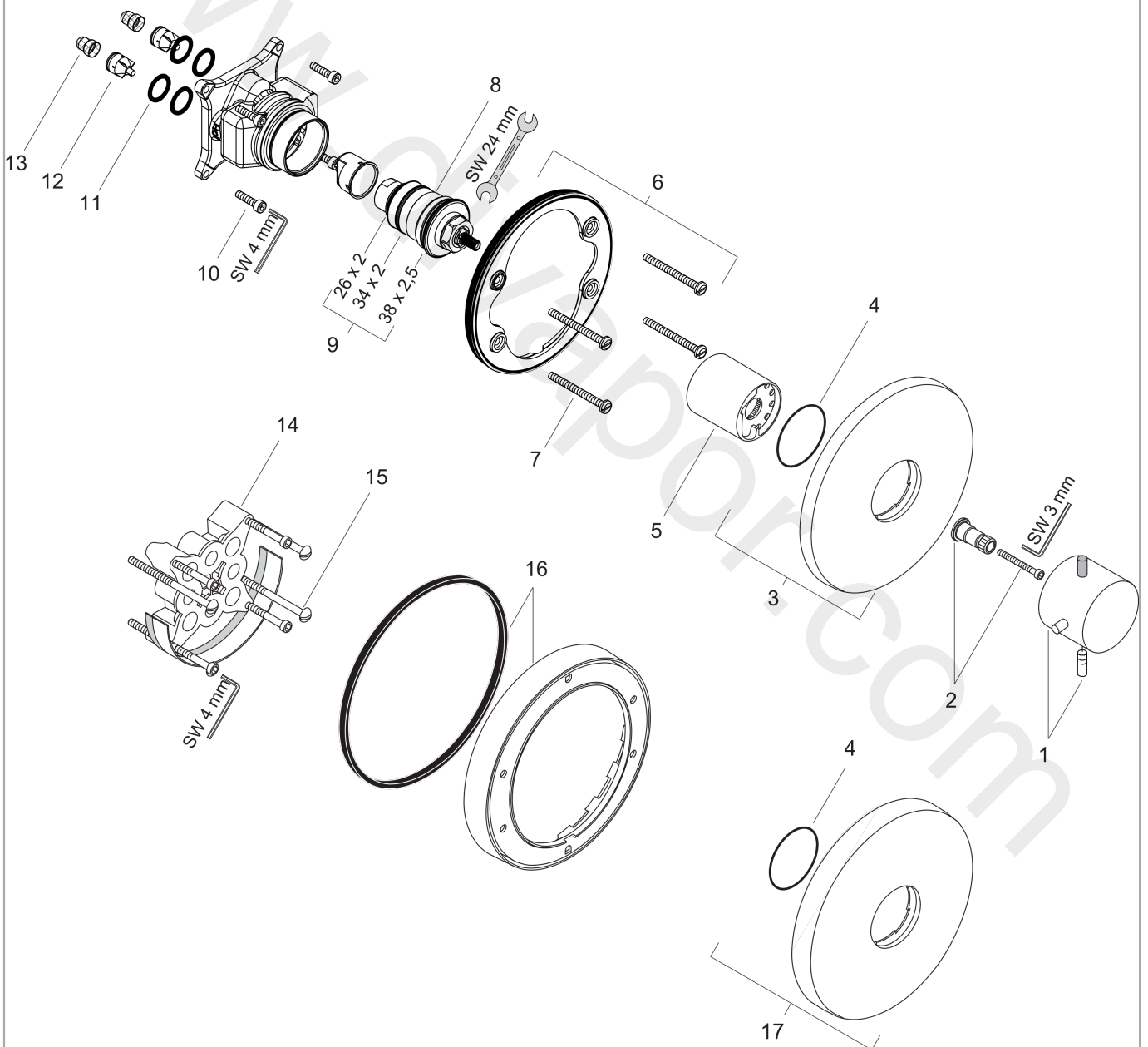


**AXOR Starck**  
**Thermostat HighFlow for concealed installation**  
 Finish: **Chrome** Article Number: **10715000**



## Exploded Drawing

Year of production: >02/12



**AXOR Starck**  
**Thermostat HighFlow for concealed installation**  
 Finish: **Chrome** Article Number: **10715000**



## Spare part list

Year of production: >02/12

Pos.		Article Number	Price	PU
1	handle for thermostat	10391000	£ 110,00	1
2	adapter for handle	96435000	£ 20,50	1
3	escutcheon Ø 170 mm	95803000	£ 137,00	1
4	O-Ring 48x3	95508000	£ 3,30	1
5	sleeve	97439000	£ 43,00	1
6	sub plate	96447000	£ 51,00	1
7	set of fixing screws	96454000	£ 9,00	1
8	thermostat cartridge	96633000	£ 137,00	1
9	sealing set	96636000	£ 51,00	1
10	set of screws	96525000	£ 9,00	1
11	O-ring 16x2	98133000	£ 3,30	1
12	set of non return valves DW 15	97350000	£ 20,50	1
13	filter	98513000	£ 3,30	1
14	extension 25 mm	13595000	£ 75,00	1
15	set of fixing screws	97747000	£ 3,30	1
16	extension 22 mm (Ø 170 mm)	13596000	£ 72,00	1
17	escutcheon height = 33 mm (when wall is not deep enough).	14960000	£ 71,00	1
a	concealed item	01800180	£ 163,00	1
b	adapter for exchanged connections	93181000	£ 275,00	1
c	filter	97367000	£ 9,00	1