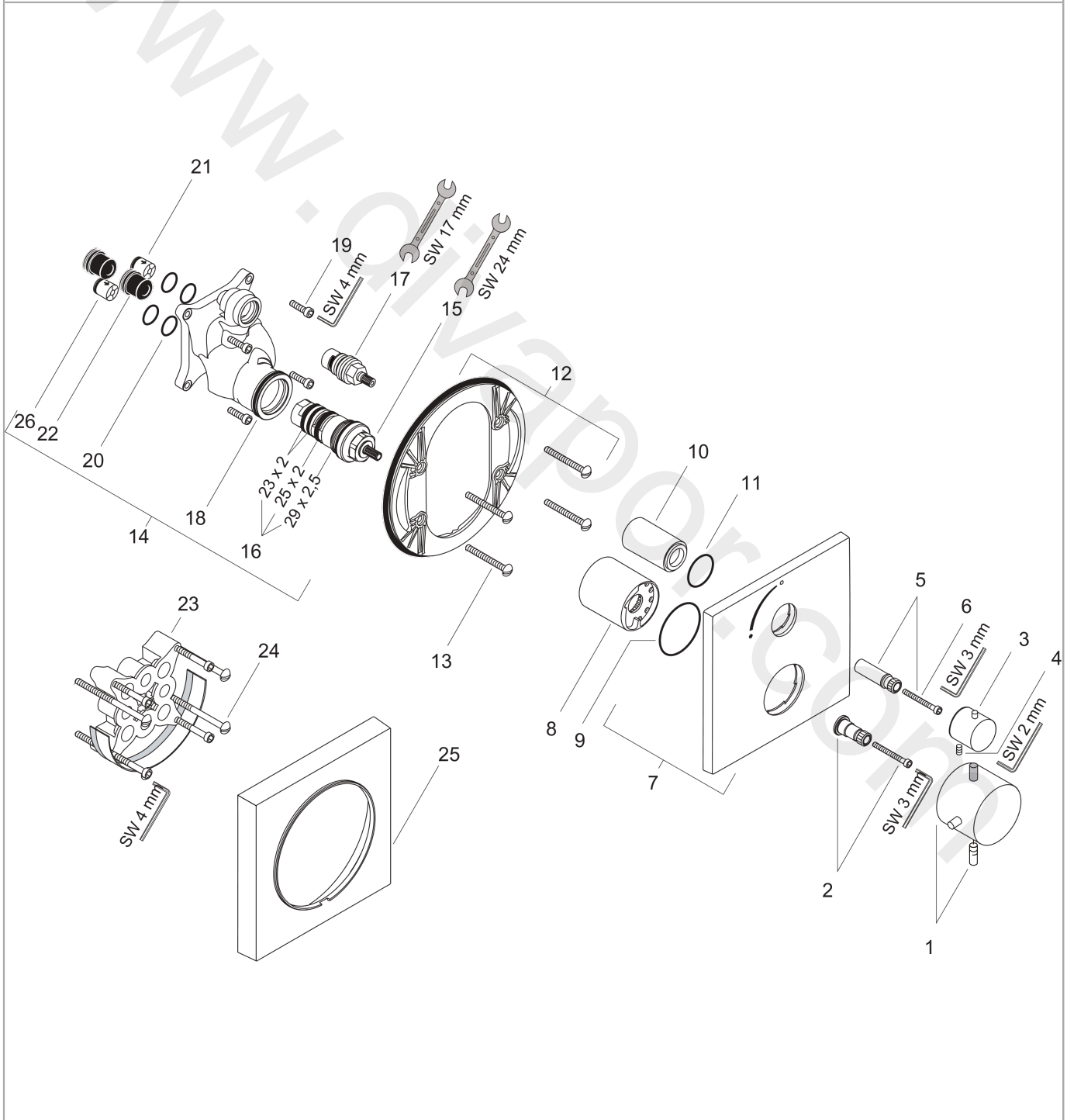


AXOR Starck X
Thermostat for concealed installation with shut-off valve
 Surfaces: Article Number: **10706000**



Exploded Drawing

Year of production: **07/08 - 04/11**



AXOR Starck X
Thermostat for concealed installation with shut-off valve
 Surfaces: Article Number: **10706000**



Spare part list

Year of production: **07/08 - 04/11**

Pos.		Article Number	Price	PU
1	handle for thermostat	10391000	£ 110,00	1
2	adapter for handle	96435000	£ 20,50	1
3	handle	96520000	£ 64,00	1
4	hollow set screw M4x8	97669000	£ 3,30	1
5	adapter for handle	96451000	£ 16,10	1
6	hexagon socket screw M4x35	92160000	£ 3,30	1
7	escutcheon	97925000	£ 79,00	1
8	sleeve	96439000	£ 43,00	1
9	O-ring 48x5	98174000	£ 3,30	1
10	sleeve	96446000	£ 35,00	1
11	O-ring 30x5	98153000	£ 3,30	1
12	sub plate	96447000	£ 51,00	1
13	set of fixing screws	96454000	£ 9,00	1
14	installation unit cpl.	92760000	£ 275,00	1
15	thermostat cartridge	94282000	£ 137,00	1
16	sealing set	95037000	£ 51,00	1
17	shut off unit right closing	94009000	£ 43,00	1
18	O-ring 39x2	98158000	£ 3,30	1
19	set of screws	96525000	£ 9,00	1
20	O-ring 16x2	98133000	£ 3,30	1
21	set of non return valves DW 15	94074000	£ 16,10	1
22	noise reduction	94073000	£ 25,00	1
23	extension 25 mm	13595000	£ 75,00	1
24	set of fixing screws	97747000	£ 3,30	1
25	extension 22 mm	97407000	£ 72,00	1
26	non return valve (pressure-resistant up to 2 MPa)	92594000	£ 16,10	1
a	concealed item	01800180	£ 163,00	1
b	non return valve with filter	92499000	£ 16,10	1
c	fixation set	96615000	£ 59,00	1