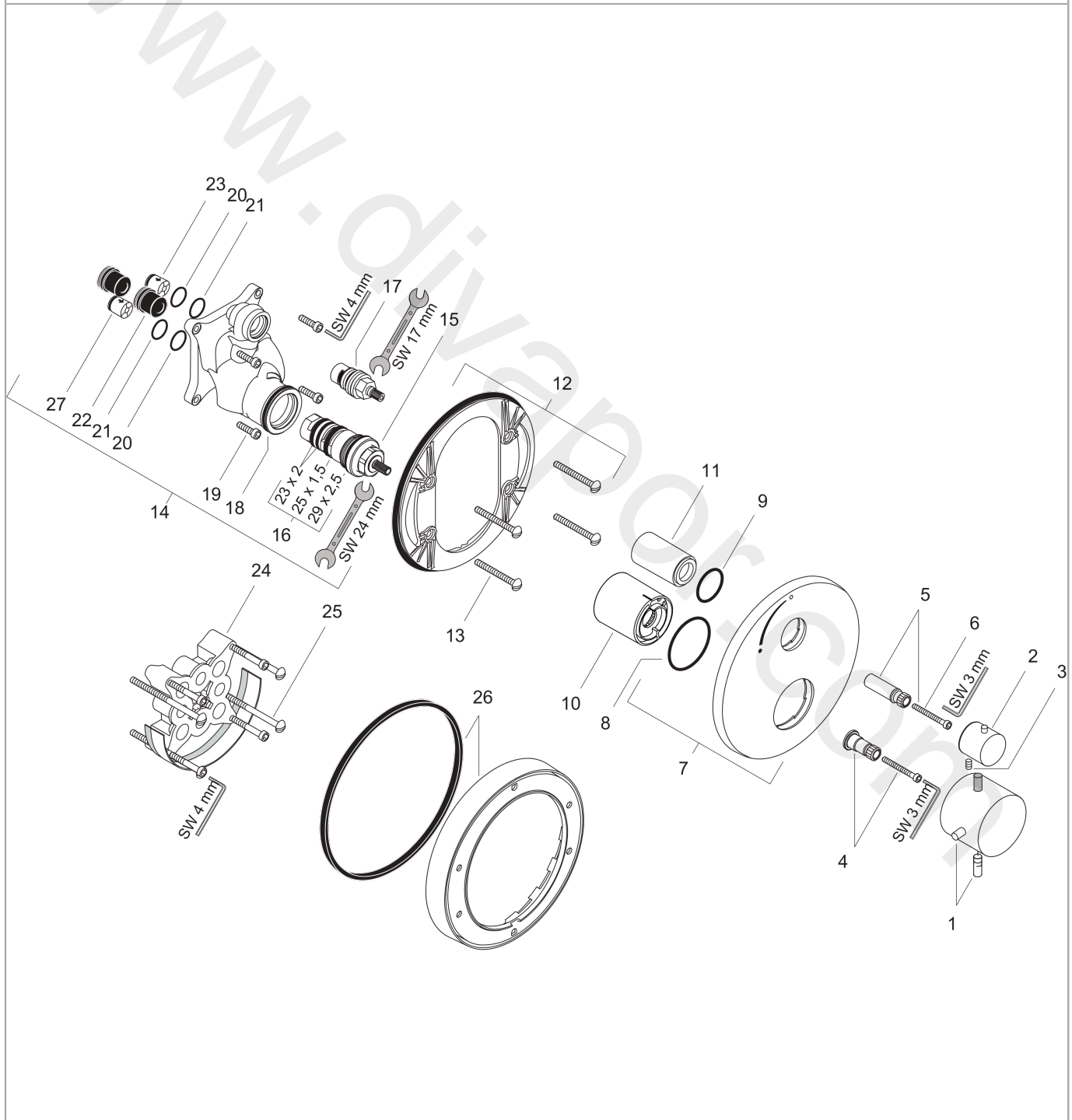


AXOR Starck
Thermostat for concealed installation with shut-off valve
Surfaces: Article Number: **10700000**



Exploded Drawing

Year of production: **04/01 - 04/02**



AXOR Starck
Thermostat for concealed installation with shut-off valve
 Surfaces: Article Number: **10700000**



Spare part list

Year of production: **04/01 - 04/02**

Pos.		Article Number	Price	PU
1	handle for thermostat	10391000	£ 110,00	1
2	handle	96520000	£ 64,00	1
3	hollow set screw M4x8	97669000	£ 3,30	1
4	adapter for handle	96435000	£ 20,50	1
5	adapter for handle	96451000	£ 16,10	1
6	hexagon socket screw M4x35	92160000	£ 3,30	1
7	escutcheon Ø 170 mm	96551000	£ 64,00	1
8	O-ring 48x5	98174000	£ 3,30	1
9	O-ring 30x5	98153000	£ 3,30	1
10	sleeve	96446000	£ 35,00	1
11	sleeve	96439000	£ 43,00	1
12	sub plate	96447000	£ 51,00	1
13	set of fixing screws	96454000	£ 9,00	1
14	installation unit cpl.	92760000	£ 275,00	1
15	thermostat cartridge	94282000	£ 137,00	1
16	sealing set	95037000	£ 51,00	1
17	shut off unit right closing	96350000	£ 51,00	1
18	O-ring 39x2	98158000	£ 3,30	1
19	set of screws	96525000	£ 9,00	1
20	O-ring 16x2	98133000	£ 3,30	1
21	O-ring 13x2	98128000	£ 3,30	1
22	noise reduction	94073000	£ 25,00	1
23	set of non return valves DW 15	94074000	£ 16,10	1
24	extension 25 mm	13595000	£ 75,00	1
25	set of fixing screws	97747000	£ 3,30	1
26	extension 22 mm (Ø 170 mm)	13596000	£ 72,00	1
27	non return valve (pressure-resistant up to 2 MPa)	92594000	£ 16,10	1
a	concealed item	01800180	£ 163,00	1
b	fixation set	96615000	£ 59,00	1