

AXOR Starck
Single lever bath mixer for exposed installation with lever handle
 Finish: **Chrome** Article Number: **10465000**



product features

- 2 functions
- projection: 200 mm
- centre distance: 150 ± 16 mm
- spray type mixer: normal spray
- maximum flow rate at 3 bar: 18 l/min
- flow rate for bath spout at 3 bar: 18 l/min
- flow rate of hand shower at 3 bar: 16 l/min
- ceramic cartridge
- temperature limitation adjustable
- diverter with automatic resetting
- non-return valve
- with silencer
- suitable for continuous flow water heaters
- connection dimension: DN15
- connection type: s-shaped connections
- wall-mounted
- min. operating pressure: 1 bar
- max. operating pressure: 10 bar
- matching handle design for the AXOR Starck basin mixers with lever handles

Article Details

Price excl. VAT 808,33 £

Technology



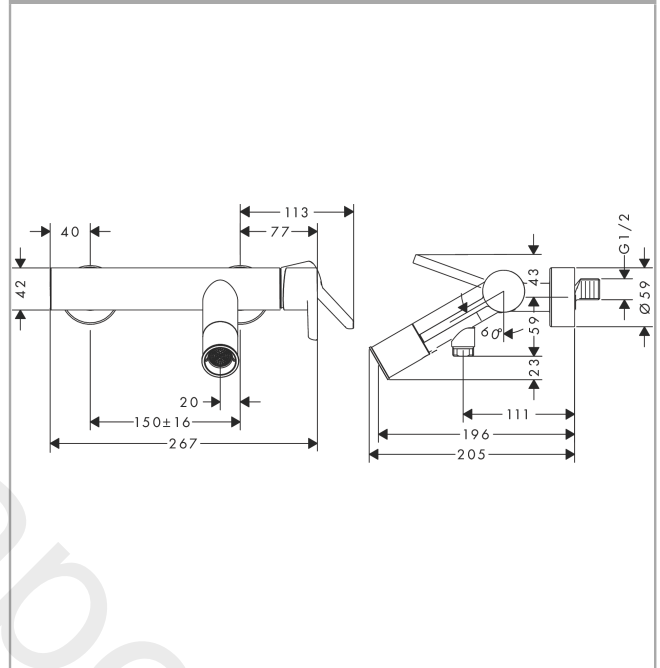
AXOR Starck
Single lever bath mixer for exposed installation with lever handle
 Finish: **Chrome** Article Number: **10465000**



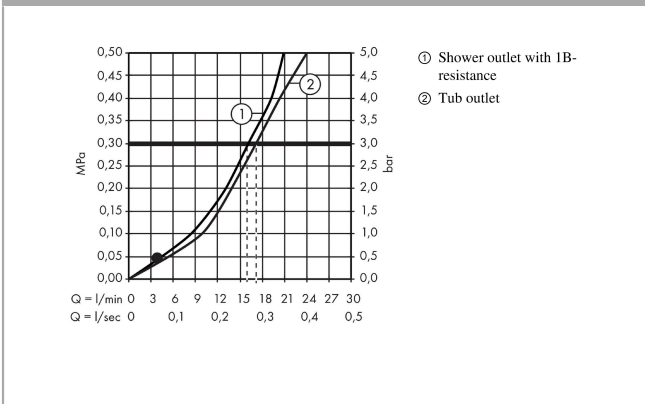
Product image



Scale drawing



Flowchart

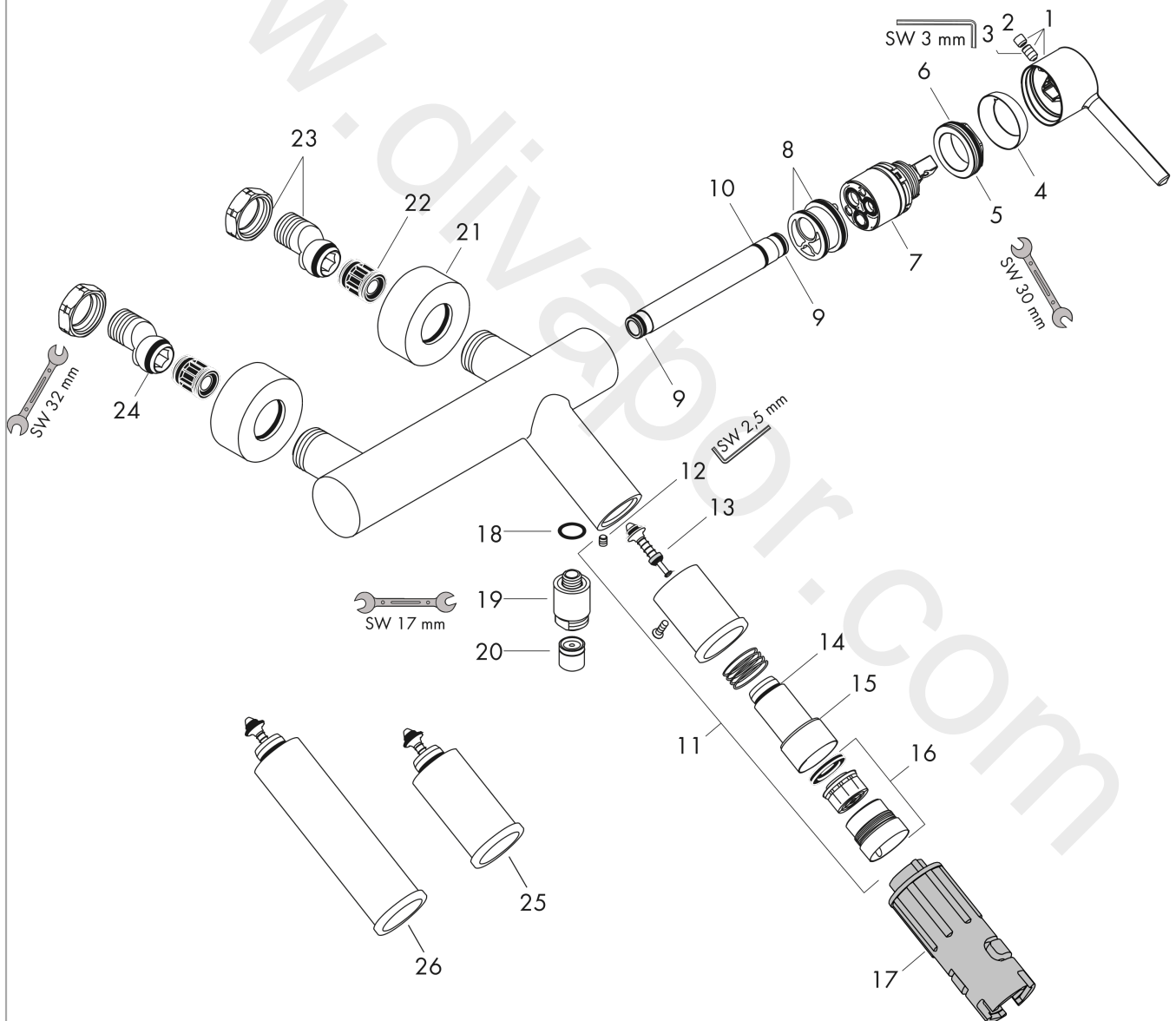


AXOR Starck
Single lever bath mixer for exposed installation with lever handle
 Finish: **Chrome** Article Number: **10465000**



Exploded Drawing

Year of production: >09/16



AXOR Starck

Single lever bath mixer for exposed installation with lever handle

Finish: **Chrome** Article Number: **10465000**



Spare part list

Year of production: >09/16

Pos.		Article Number	Price	PU
1	handle	92927000	£ 96,00	1
2	screw cover	96762000	£ 3,30	1
3	hollow set screw M6x10 DIN 916	96029000	£ 3,30	1
4	flange	96763000	£ 9,00	1
5	nut	97209000	£ 16,10	1
6	O-ring 33x2	98154000	£ 3,30	1
7	cartridge, assy	92730000	£ 35,00	1
8	O-ring 29x2	98391000	£ 3,30	1
9	O-ring 11x2	98127000	£ 3,30	1
10	O-ring 12x2	98214000	£ 3,30	1
11	selector assy	96294000	£ 173,00	1
12	hollow set screw M5x6	98482000	£ 3,30	1
13	selector	96297000	£ 35,00	1
14	O-ring 16x2	98133000	£ 3,30	1
15	O-ring 24x2	98388000	£ 3,30	1
16	aerator M30x1 (25 l/min)	96296000	£ 43,00	1
17	special tool set	58085000	£ 9,00	1
18	O-ring 13x2	98128000	£ 3,30	1
19	connecting thread	97527000	£ 35,00	1
20	set of non return valves DW 15	94074000	£ 16,10	1
21	escutcheon Ø 59 mm	97507000	£ 35,00	1
22	noise reduction	96429000	£ 6,10	1
23	set of S-unions with nuts	96742000	£ 51,00	1
24	O-ring 18x2,5	98139000	£ 3,30	1