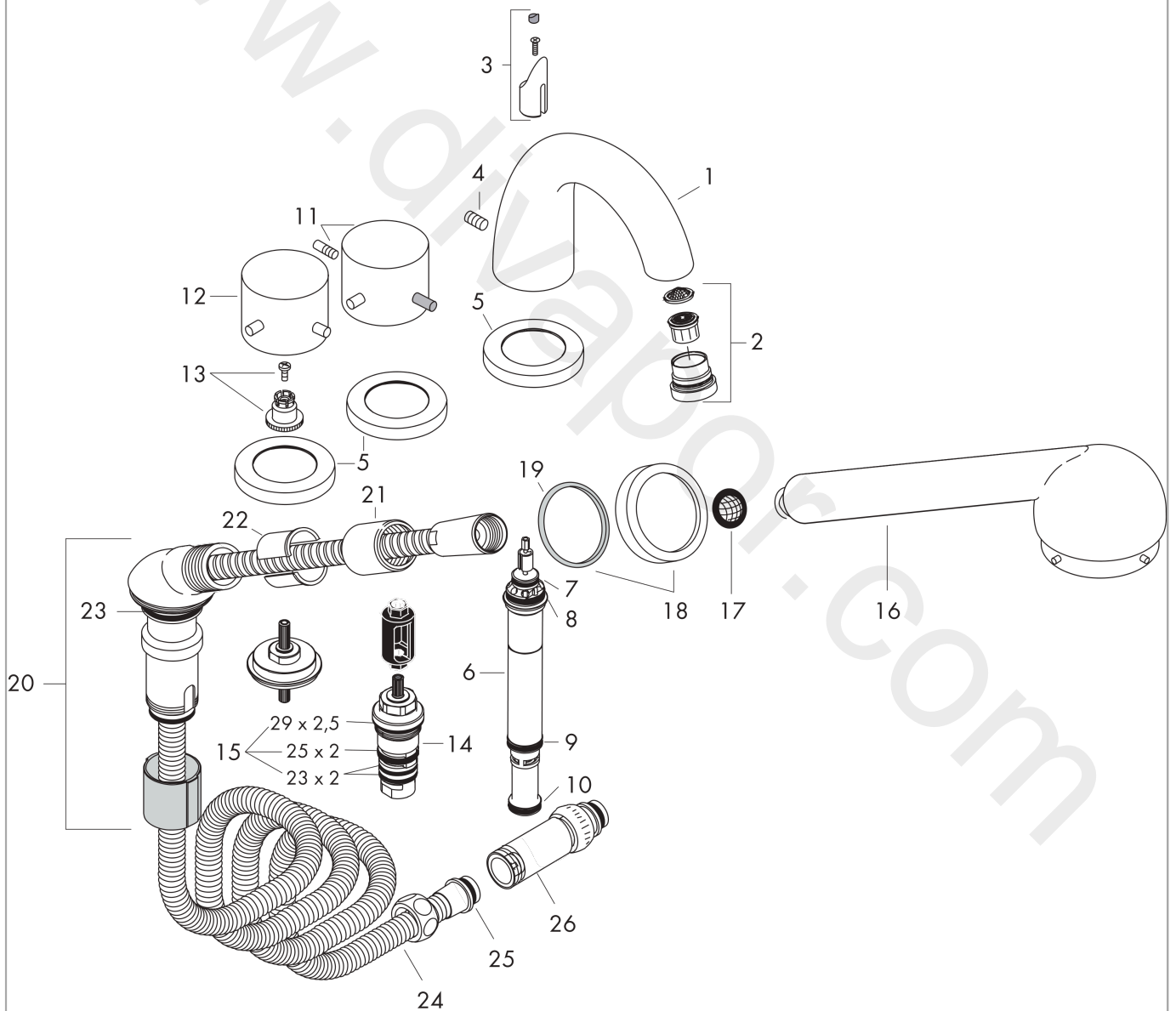


**AXOR Starck**  
**4-hole rim mounted thermostatic bath mixer with zero handles**  
Surfaces: Article Number: **10461000**



## Exploded Drawing

Year of production: **09/98 - 03/04**



**AXOR Starck**  
**4-hole rim mounted thermostatic bath mixer with zero handles**  
 Surfaces: Article Number: **10461000**



## Spare part list

Year of production: **09/98 - 03/04**

Pos.		Article Number	Price	PU
1	spout cpl.	96303000	£ 585,00	1
2	aerator M30x1 (25 l/min)	94034000	£ 43,00	1
3	diverter knob	96086000	£ 25,00	1
4	hollow set screw M6x10 DIN 916	96029000	£ 3,30	1
5	escutcheon Ø 70 mm	96236000	£ 43,00	1
6	selector assy	96246000	£ 173,00	1
7	O-ring 15x2,5	98131000	£ 3,30	1
8	O-ring 24x2,5	98145000	£ 3,30	1
9	O-ring 20x2,5	92602000	£ 6,10	1
10	O-ring 18x2,5	98139000	£ 3,30	1
11	handle for thermostat	10996000	£ 173,00	1
12	handle	98666000	£ 137,00	1
13	handle fixing set	94184000	£ 6,10	1
14	thermostat cartridge	94282000	£ 137,00	1
15	sealing set	95037000	£ 51,00	1
16	handshower	28536000	£ 78,00	1
17	filter packing	94246000	£ 3,30	1
18	escutcheon for shower holder	96237000	£ 43,00	1
19	escutcheon chuck	97105000	£ 9,00	1
20	shower holder, assy	96433000	£ 110,00	1
21	nut	97584000	£ 16,10	1
22	insert for shower holder	96942000	£ 13,30	1
23	O-ring 40x2,5	98399000	£ 3,30	1
24	shower hose 2,00 m	94148000	£ 79,00	1
25	O-ring 11x2	98127000	£ 3,30	1
26	back flow preventor cartridge	94146000	£ 35,00	1
a	SECUFLEX hose + long hose (max. extension 1,40 m)	94109000	£ 445,00	1
b	concealed item	15482180	£ 1.640,00	1
c	concealed item	15482180	£ 1.640,00	1
d	adapter for handle	97409000	£ 25,00	1